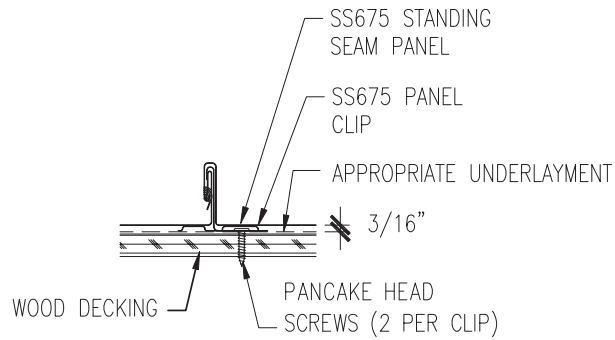


SS675 STANDING SEAM CLIP



GAUGE: _____	COLOR: _____
LENGTH: _____	FINISH: _____
MATERIAL: _____	

Western States Metal Roofing

901 W. Watkins St.
 Phoenix, AZ 85007
www.MetalForRoofing.com
www.RustedRoofing.com
www.MetalDeck.com

Phone: (602) 495-0048
 Fax: (602) 261-7726
 877-PURLINS (787-5467)

PANEL CLIP DETAIL

PANEL TYPE:
 SS675 STANDING
 SEAM

A	04-29-13
REV:	DATE:
DETAIL #: WSD-D26A	