

**Western States “RustWall™” Wall  
and Soffit Panels**  
Installation, Flashings & Shop Drawing Detail Guide

**Table of Contents**

<b>Section</b>	<b>Page</b>
Notes to Designer /Installers.....	1
Fastener Placement and Selection.....	2-3
Key Roof Plan .....	4
Key Flashing / Trims .....	5-6
Soffit End Splice Detail .....	7
Wall Splice Detail .....	8
Soffit End Wall Detail .....	9
Alternate Soffit End wall.....	10
Soffit to Wall Drip Detail.....	11
Horizontal Siding End Wall Detail.....	12
Vertical Siding End Wall Detail.....	13
Parapet Wall Detail .....	14
Splice/ Sill Detail.....	15
Base Trim Detail.....	16
Door/ Window Sill & Head Detail.....	17
Door / Window Jamb Detail.....	18
Door / Window Sill Detail.....	19
Outside Corner Detail .....	20
Inside Corner Detail.....	21
Custom Outside Corner Detail.....	22

<b>Section</b>	<b>Page</b>
Custom Inside Corner Detail.....	23
Soffit to Wall Horizontal Detail .....	24
Parapet Wall Horizontal Detail.....	25
Splice /Sill Horizontal Detail .....	26
Base Horizontal Detail.....	27
Window/ Door Head Horizontal Detail.....	28
Window/ Door Jamb Horizontal Detail.....	29
Window/Door Sill Horizontal Detail.....	30
Outside corner Horizontal Detail.....	31
Inside Corner Horizontal Detail.....	32
Notes.....	33
Custom Trim .....	34

## **Western States “RustWall™” Panel**

Installation, Flashings & Shop Drawing Detail Guide

### **Notes to Designer and Installers**

The details contained in this guide are proven industry details and are intended to be used as a design aid and installation guide. It does not depict all situations that may be encountered on all projects. Modifications are the responsibility of the designer/ owner/ installer. Consideration should be given for Fit for Purpose, Building use, Climate conditions such as temperature, snow, wind, and moisture, Governing Building Codes, and Maintenance. It is highly recommended that all trims and flashings be of the same material as the panels (metal, gauge, finish) to ensure long term performance and durability. Where possible, flashing edges should be hemmed to strengthen the edge and protect the cut edge from exposure.

### **Framing and Substrates**

“RustWall™ “ panels are used over all type of substrates like Steel Framing, open purlins, spaced sheathing, and wood surface such as plywood. Most details in this guide are shown with panels attached to Solid Wood Decking.

### **Note on Underlayment**

Not all conditions require an underlayment, However metal siding is susceptible to Condensation and it is recommended that an appropriate underlayment be use on all wood substrates to protect the structure during installation. For added protection from rain and snow, it is recommended to use rubberized Ice and water shield.

### **Technical Assistance**

Contact your WSDI sales or technical representative for any additional information or assistance.

### **Oil Canning**

Oil canning is a condition common with flat metal surfaces. This waviness is caused by steel mill tolerances, forming, variations in the structures surfaces, and hardness of the steel. Measures are taken at the roll forming process, like profile design, steel gauge, corrective leveling, to minimize the effects of oil canning. Oil Canning is a Characteristic of steel and can not be eliminated totally and therefore is not reason for rejection of the panels.

### **Job Site Storage**

While waiting to be installed on the job site, Storage of panels, trim crates, and flat sheet should be sloped in order to allow for proper moisture run off. One end should be elevated so as not to allow ponding of water on the metal surface. When using tarps for protection, proper ventilation should be provided to prevent condensation. Moisture or condensation that is trapped inside a bundle can lead to white rust on sheeting.

### **References**

For other installation techniques and details, The Sheet Metal and Air Conditioning Contractors National Association Inc. (SMACNA) and NRCA manuals are great resource for working with sheet metal.

## Western States Metal Roofing “RustWall™” Panel

Installation, Flashings & Shop Drawing Detail Guide

### Fastener Selection

#### Notes to Installers:

Fastener Selection will vary depending on type and thickness of substrate.

Design Calculations for clip spacing should be completed by the design engineer.

The use of Butyl tape mastic, Butyl sealants and Curing Sealants is always recommended to insure weather tight installation.

Panels and flashings should never be installed in contact with dissimilar metals.

Use only those flashings and accessories designed for use with this panel.

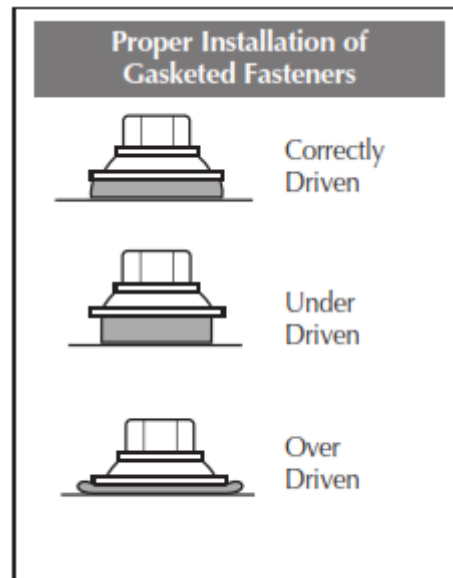
Panel clip attachment screws must be long enough to fully penetrate through roof deck substrate or penetrate solid lumber at least one inch.

Exposed Trim Fasteners should have sealing washers and be coated to provide protection against corrosion.

Screws must be properly driven to ensure holding strength and proper seal. (see diagram)

Recommended drill speed is 2000rpm. Improper setting of drill speed can lead to snapping of screw heads.

Pre drilling of screw holes may be necessary with heavy gauge metals.



## Western States Metal Roofing “Standing Seam 675” Panel

Installation, Flashings & Shop Drawing Detail Guide

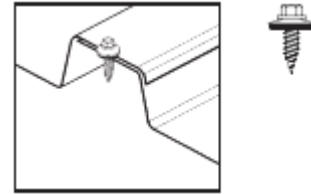
### Fastener Selection

Description

Application

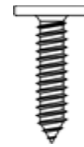
14 x 7/8” Lap Self tap  
14 x 7/8 Lap Stainless

Used to attach Trims .  
Stainless to be used with  
A606-4 Steel



#10-12 x 1” Pancake head  
Wood  
#10-12 x 1” SD PH Self Driller  
Steel

Used to attach Panel clips.  
Used to secure trims to  
substrates. Also available in  
Stainless Steel.



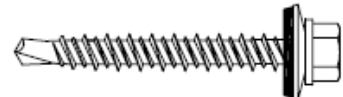
1/8” Stainless Rivets

Used for Trim to Trim  
attachment or trim to wall  
panels.

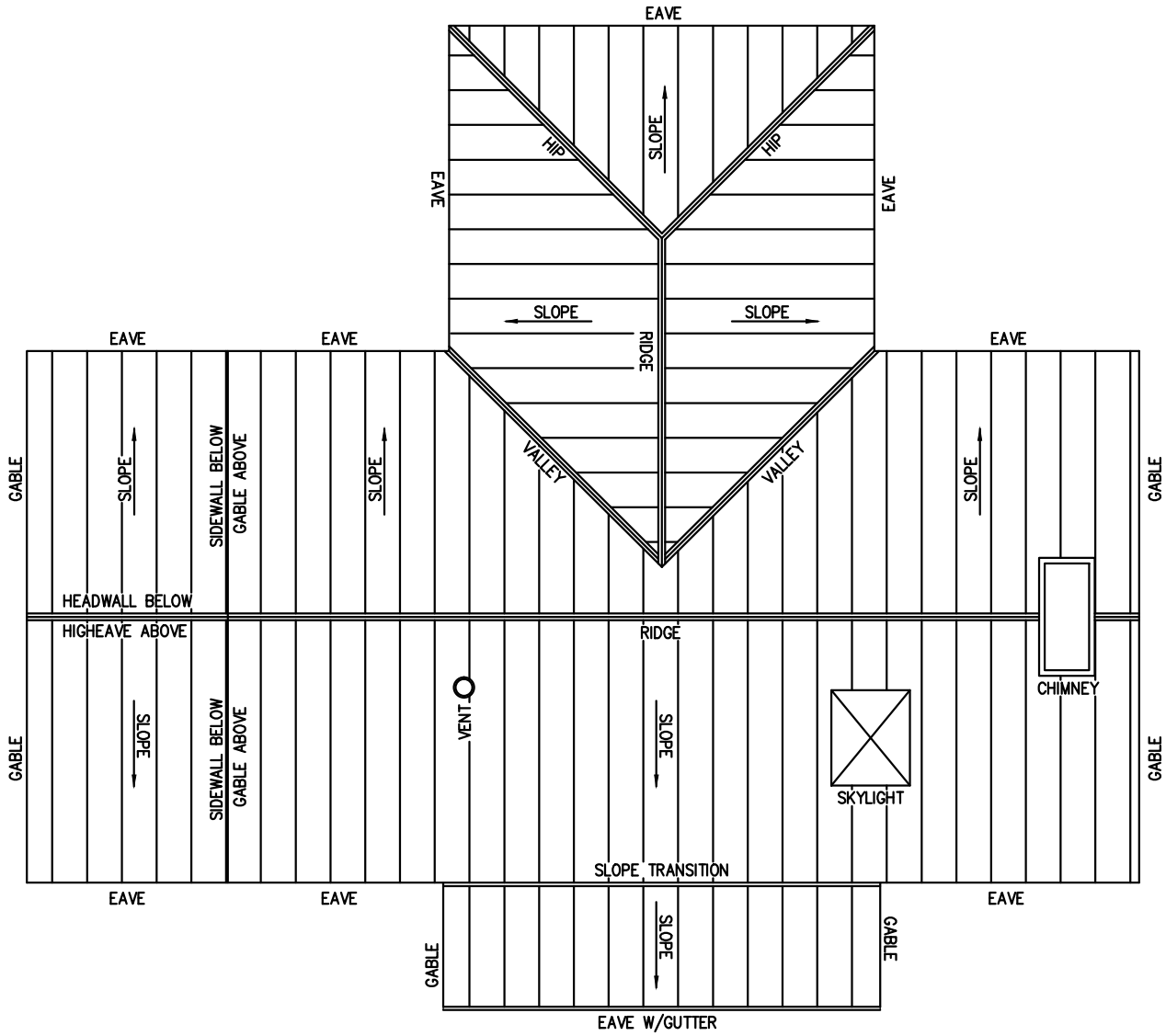


Stainless Screws  
#10 x 1 x 1/4” Wood Drillers  
#10 x 1.5 x 1/4”  
#10 x 2” x 1/4”

Used for panel attachment  
for panels made with  
A606-4 Steel



The table above shows the panel Fasteners provided by WSD. Special order screws are available.



FLASHING TYPE	DETAIL NO.
STANDARD TRIM	WSD-ST5
STANDARD TRIM	WSD-ST6
SOFFIT END SPLICE	WSD-S1
WALL-SOFFIT END SPLICE	WSD-SW2
SOFFIT END WALL	WSD-S3
ALTERNATE SOFFIT END WALL	WSD-SW4
SOFFIT TO WALL DRIP	WSD-SW5
HORIZONTAL SIDING END WALL	WSD-W6
VERTICAL SIDING END WALL	WSD-W7
PARAPET WALL	WSD-W8
SPLICE SILL	WSD-W9
BASE	WSD-W10
SILL AND HEAD	WSD-W11
JAMB	WSD-W12
SILL	WSD-W13
OUTSIDE CORNER	WSD-W14
INSIDE CORNER	WSD-W15
CUSTOM OUTSIDE CORNER	WSD-W16
CUSTOM INSIDE CORNER	WSD-W17
SOFFIT TO WALL DRIP	WSD-W18
PARAPET WALL	WSD-W19
SPLICE-SILL DETAIL	WSD-W20
BASE DETAIL	WSD-W21
SILL-HEAD DETAIL	WSD-W22
JAMB DETAIL	WSD-W23
SILL DETAIL	WSD-W24
OUTSIDE CORNER	WSD-W25
INSIDE CORNER	WSD-W26
NOTES	WWSD-N27
CUSTOM TRIM SHEET	WSD-CT28

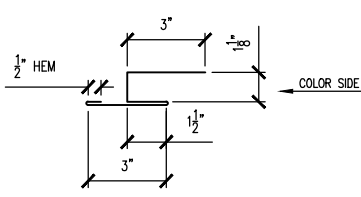
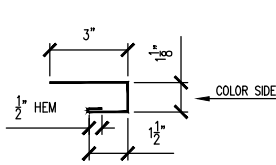
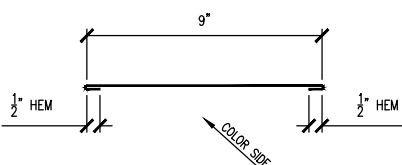
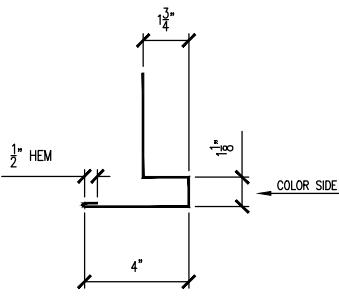
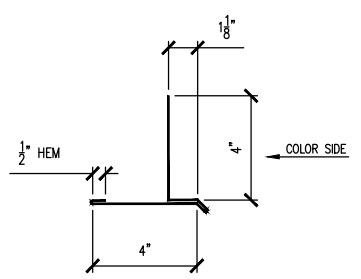
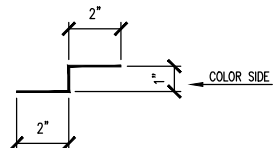
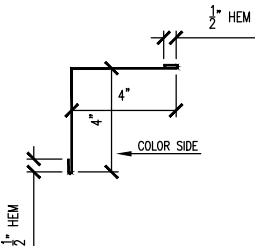
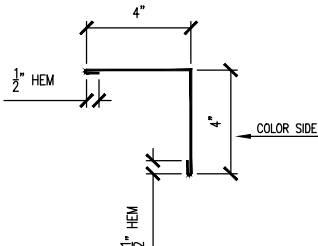
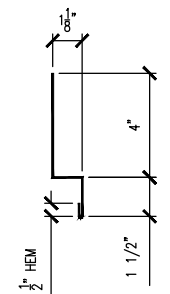
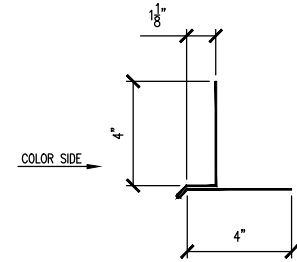
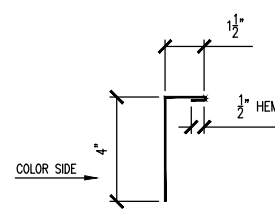
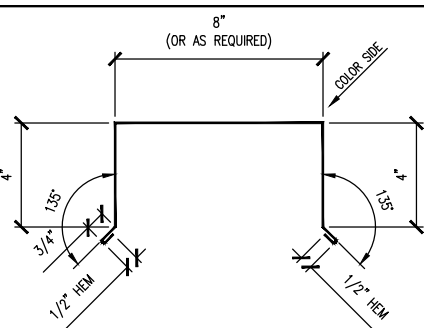
# Western States Metal Roofing

901 W. Watkins St.  
 Phoenix, AZ 85007  
[www.MetalForRoofing.com](http://www.MetalForRoofing.com)  
[www.RustedRoofing.com](http://www.RustedRoofing.com)  
[www.MetalDeck.com](http://www.MetalDeck.com)

Phone: (602) 495-0048  
 Fax: (602) 261-7726  
 877-PURLINS (787-5467)



DETAIL:		
KEY ROOF PLAN	A	02-18-13
	REV:	DATE:
PANEL TYPE:	RUSTWALL	
	DETAIL #:	

<p>END SPLICE WS-500</p> 	<p>C METAL (J-TRIM) WS-501</p> 	<p>REVEAL FLASHING WS-502</p> 	<p>SILL DRIP TRIM WS-504</p> 
<p>ALTERNATE SILL DRIP TRIM WS-505</p> 	<p>Z METAL TRIM WS-506</p> 	<p>INSIDE CORNER TRIM WS-507</p> 	<p>OUTSIDE CORNER TRIM WS-508</p> 
<p>TRANSITION/SILL TRIM WS-509</p> 	<p>DOOR/WINDOW HEAD TRIM WS-510</p> 	<p>DOOR/WINDOW JAMB TRIM WS-511</p> 	<p>PARAPET CAP WS-512</p> 

# Western States Metal Roofing

901 W. Watkins St.  
 Phoenix, AZ 85007  
[www.MetalForRoofing.com](http://www.MetalForRoofing.com)  
[www.RustedRoofing.com](http://www.RustedRoofing.com)  
[www.MetalDeck.com](http://www.MetalDeck.com)

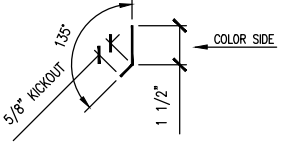
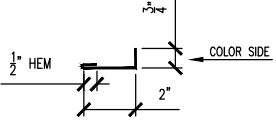
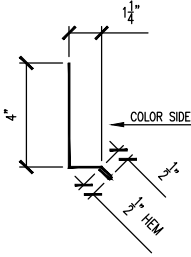
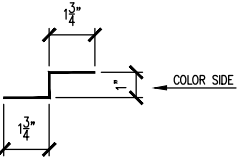
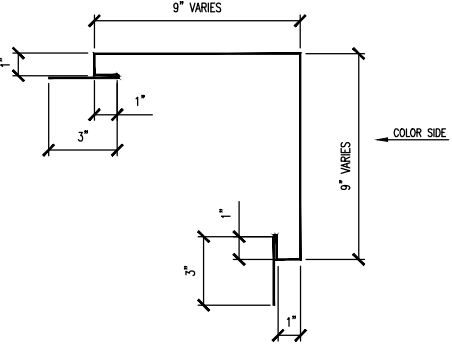
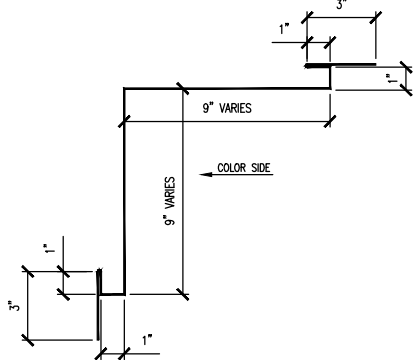
Phone: (602) 495-0048  
 Fax: (602) 261-7726  
 877-PURLINS (787-5467)

## STANDARD TRIM

PANEL TYPE:

**RUSTWALL**

A	02-18-13
REV:	DATE:
DETAIL #:	<b>WSD-ST1</b>

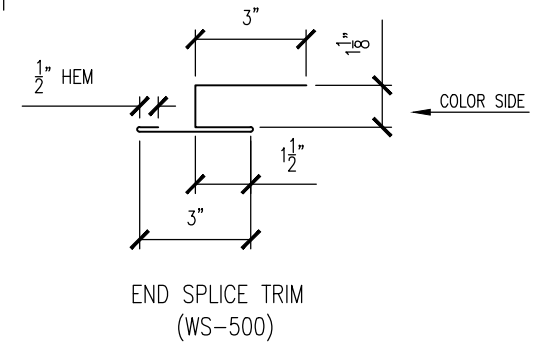
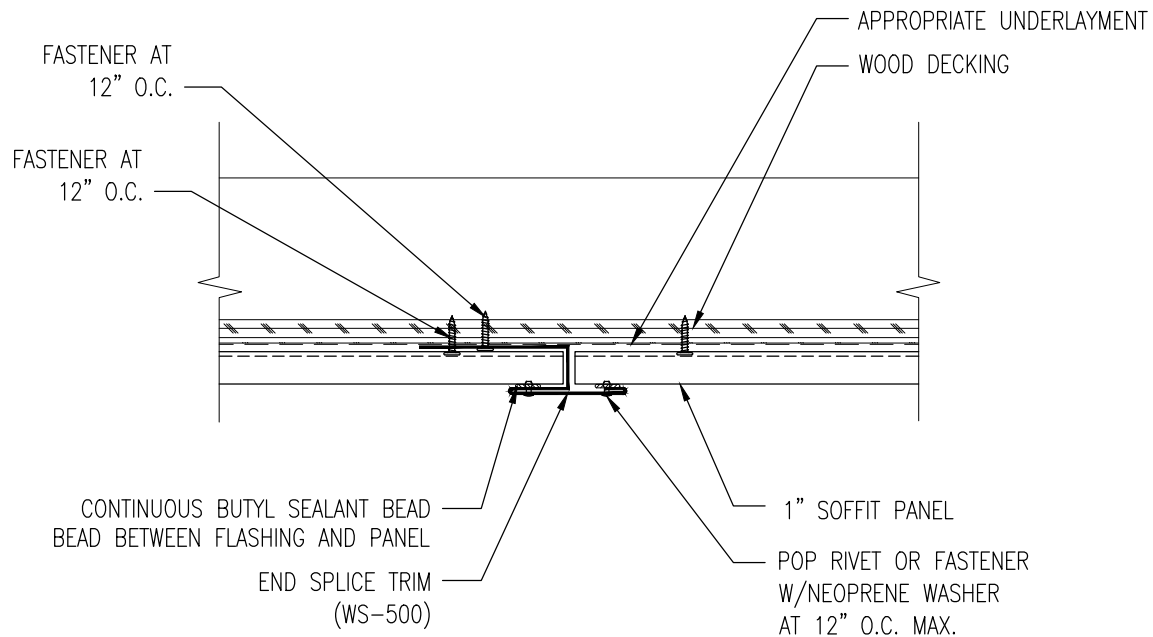
<p>TRIM CLEAT WS-513</p> 	<p>ALTERNATE WALL TRIM WS-514</p> 	<p>BASE TRIM WS-515</p> 	<p>Z METAL TRIM (SMALL) WS-516</p> 
<p>CUSTOM OUTSIDE CORNER WS-517</p> 	<p>CUSTOM INSIDE CORNER WS-518</p> 		

**Western States Metal Roofing**

901 W. Watkins St.  
 Phoenix, AZ 85007  
[www.MetalForRoofing.com](http://www.MetalForRoofing.com)  
[www.RustedRoofing.com](http://www.RustedRoofing.com)  
[www.MetalDeck.com](http://www.MetalDeck.com)

Phone: (602) 495-0048  
 Fax: (602) 261-7726  
 877-PURLINS (787-5467)

<p>STANDARD TRIM</p>			
		<p>A</p>	<p>02-18-13</p>
<p>PANEL TYPE:  <b>RUSTWALL</b></p>		<p>REV:</p>	<p>DATE:</p>
		<p>DETAIL #:  <b>WSD-ST2</b></p>	



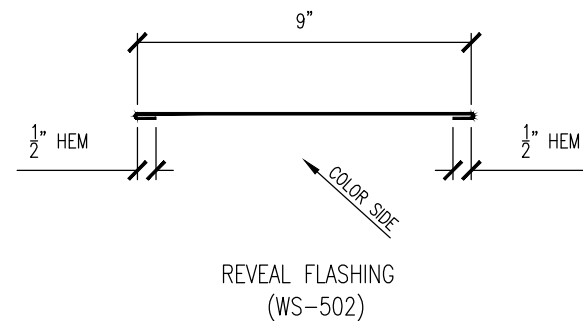
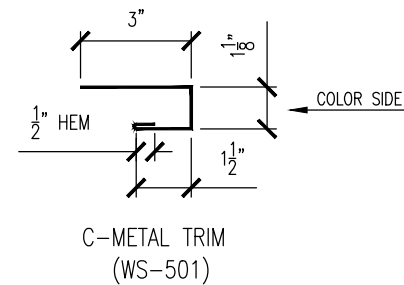
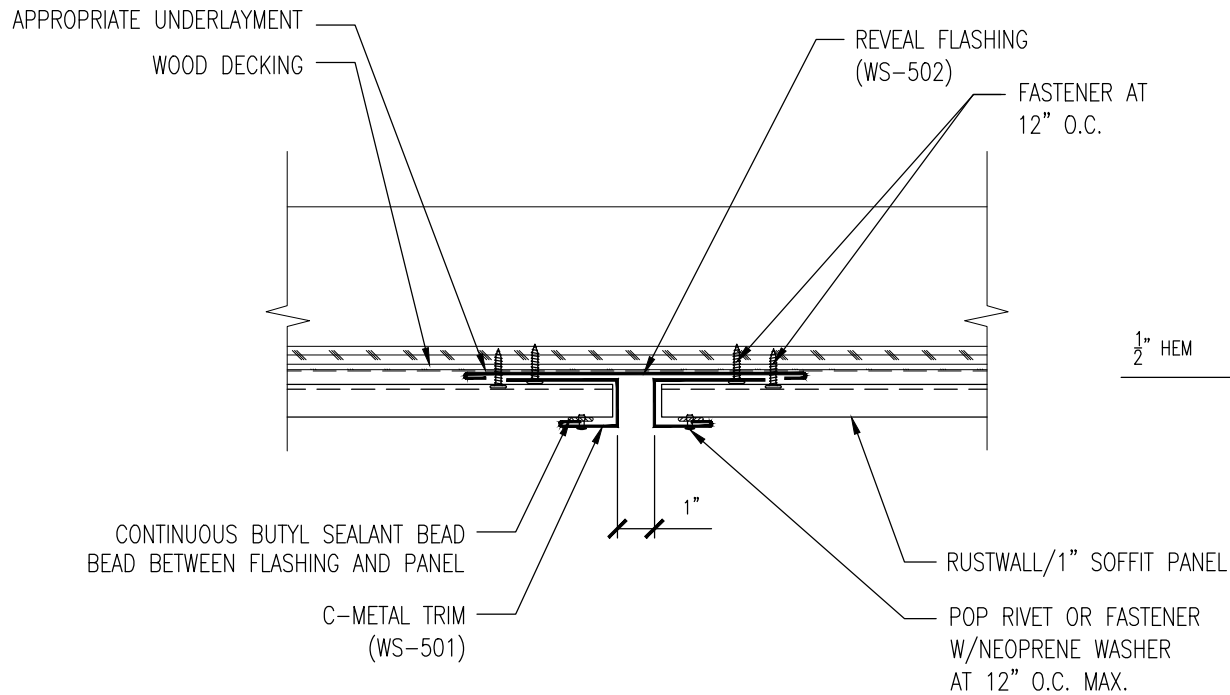
GAUGE: _____	COLOR: _____						
LENGTH: _____	FINISH: _____						
MATERIAL: _____							
<b>SOFFIT END SPLICE DETAIL</b>							
PANEL TYPE: <b>1" SOFFIT</b>	<table border="1"> <tr> <td>A</td> <td>02-18-13</td> </tr> <tr> <td>REV:</td> <td>DATE:</td> </tr> <tr> <td colspan="2">DETAIL #: <b>WSD-S1</b></td> </tr> </table>	A	02-18-13	REV:	DATE:	DETAIL #: <b>WSD-S1</b>	
A	02-18-13						
REV:	DATE:						
DETAIL #: <b>WSD-S1</b>							

## Western States Metal Roofing

901 W. Watkins St.  
Phoenix, AZ 85007  
www.MetalForRoofing.com  
www.RustedRoofing.com  
www.MetalDeck.com

Phone: (602) 495-0048  
Fax: (602) 261-7726  
877-PURLINS (787-5467)





HORIZONTAL WALL INSTALL

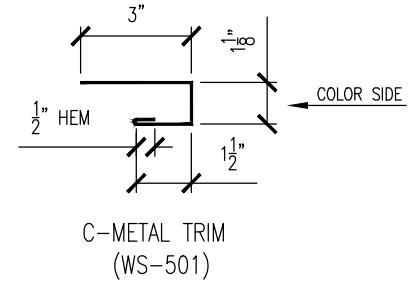
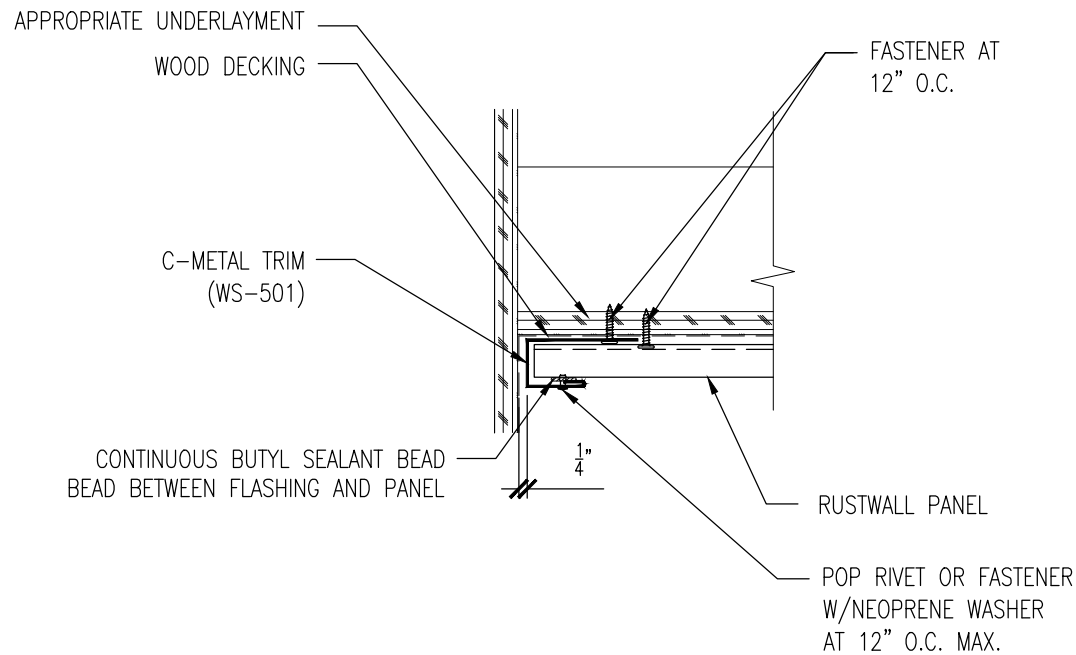
GAUGE: _____	COLOR: _____
LENGTH: _____	FINISH: _____
MATERIAL: _____	

**Western States Metal Roofing**

901 W. Watkins St.  
Phoenix, AZ 85007  
www.MetalForRoofing.com  
www.RustedRoofing.com  
www.MetalDeck.com

Phone: (602) 495-0048  
Fax: (602) 261-7726  
877-PURLINS (787-5467)

WALL/SOFFIT END SPLICE DETAIL		
	A	02-18-13
PANEL TYPE: 1" SOFFIT/RUSTWALL	REV:	DATE:
	DETAIL #: WSD-SW2	



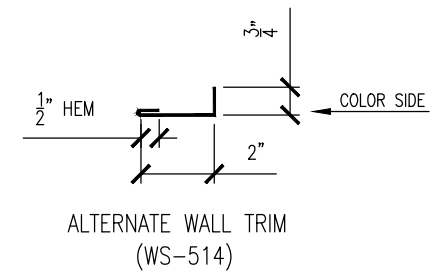
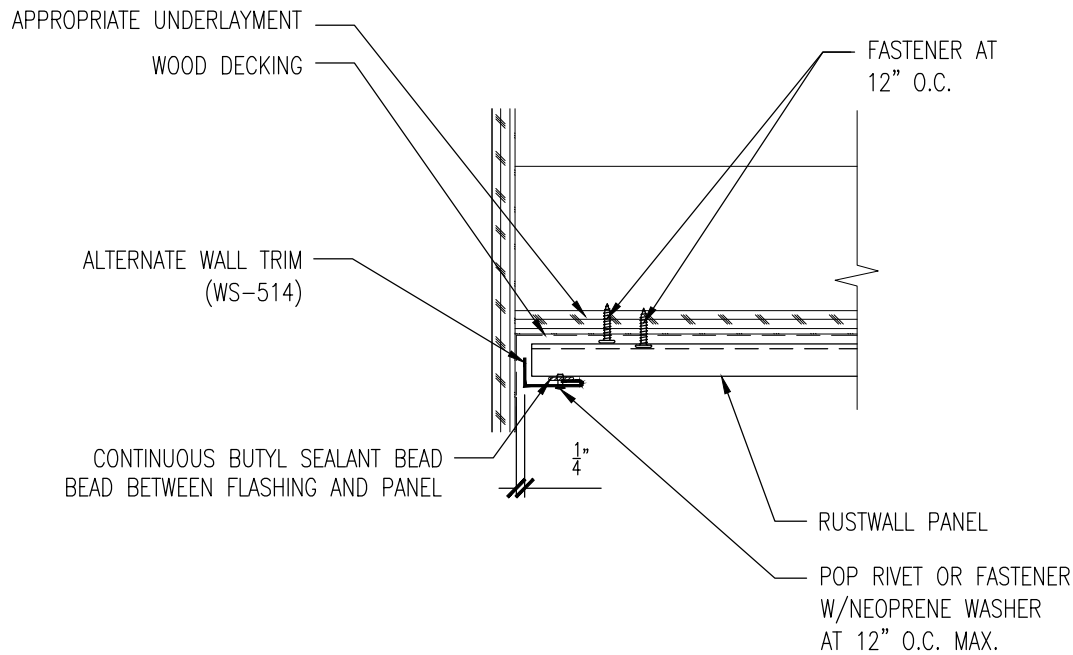
GAUGE: _____	COLOR: _____
LENGTH: _____	FINISH: _____
MATERIAL: _____	

## Western States Metal Roofing

901 W. Watkins St.  
 Phoenix, AZ 85007  
[www.MetalForRoofing.com](http://www.MetalForRoofing.com)  
[www.RustedRoofing.com](http://www.RustedRoofing.com)  
[www.MetalDeck.com](http://www.MetalDeck.com)

Phone: (602) 495-0048  
 Fax: (602) 261-7726  
 877-PURLINS (787-5467)

SOFFIT END WALL DETAIL		
	A	02-18-13
PANEL TYPE: RUSTWALL	REV:	DATE:
	DETAIL #: WSD-S3	



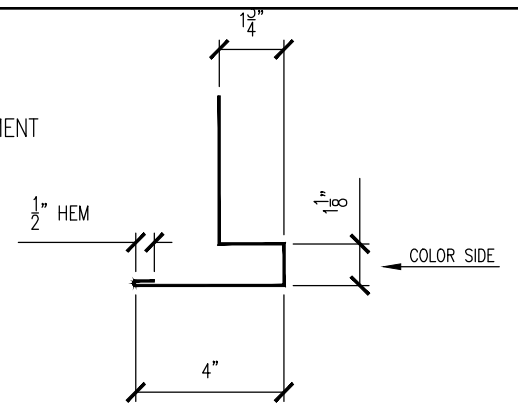
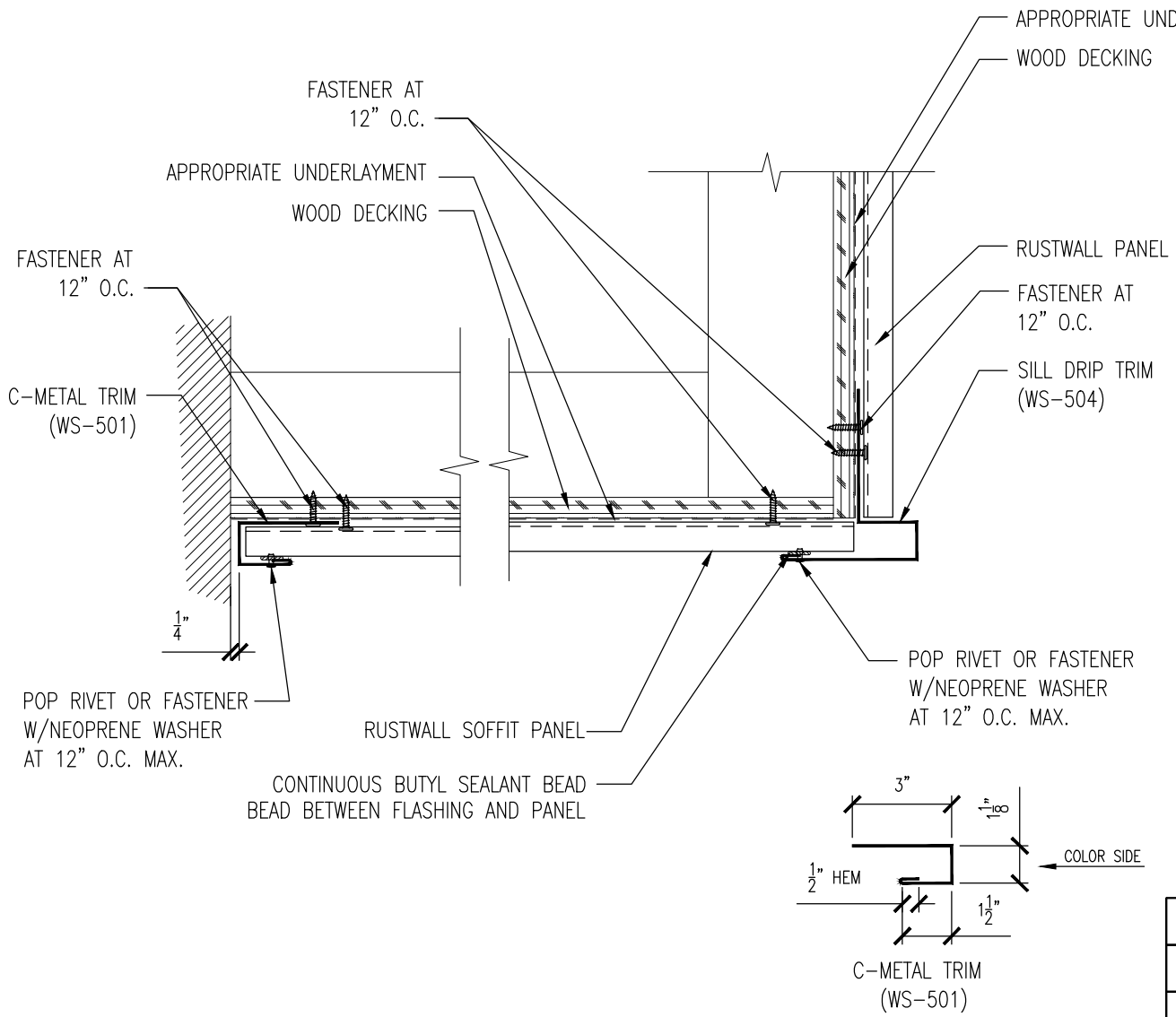
GAUGE: _____	COLOR: _____
LENGTH: _____	FINISH: _____
MATERIAL: _____	

## Western States Metal Roofing

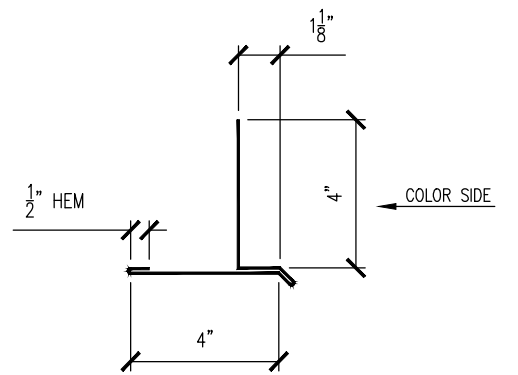
901 W. Watkins St.  
 Phoenix, AZ 85007  
[www.MetalForRoofing.com](http://www.MetalForRoofing.com)  
[www.RustedRoofing.com](http://www.RustedRoofing.com)  
[www.MetalDeck.com](http://www.MetalDeck.com)

Phone: (602) 495-0048  
 Fax: (602) 261-7726  
 877-PURLINS (787-5467)

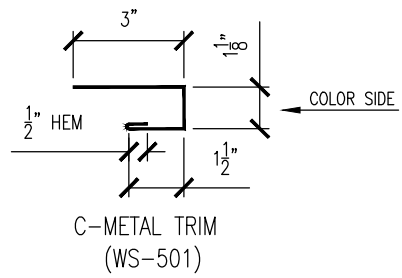
ALTERNATE SOFFIT END WALL DETAIL		
	A	02-18-13
PANEL TYPE: RUSTWALL	REV:	DATE:
	DETAIL #: WSD-SW4	



SILL DRIP TRIM (WS-504)



ALTERNATE SILL DRIP TRIM (WS-505)



C-METAL TRIM (WS-501)

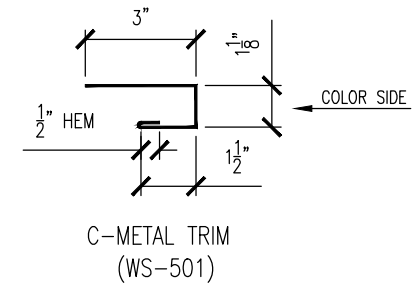
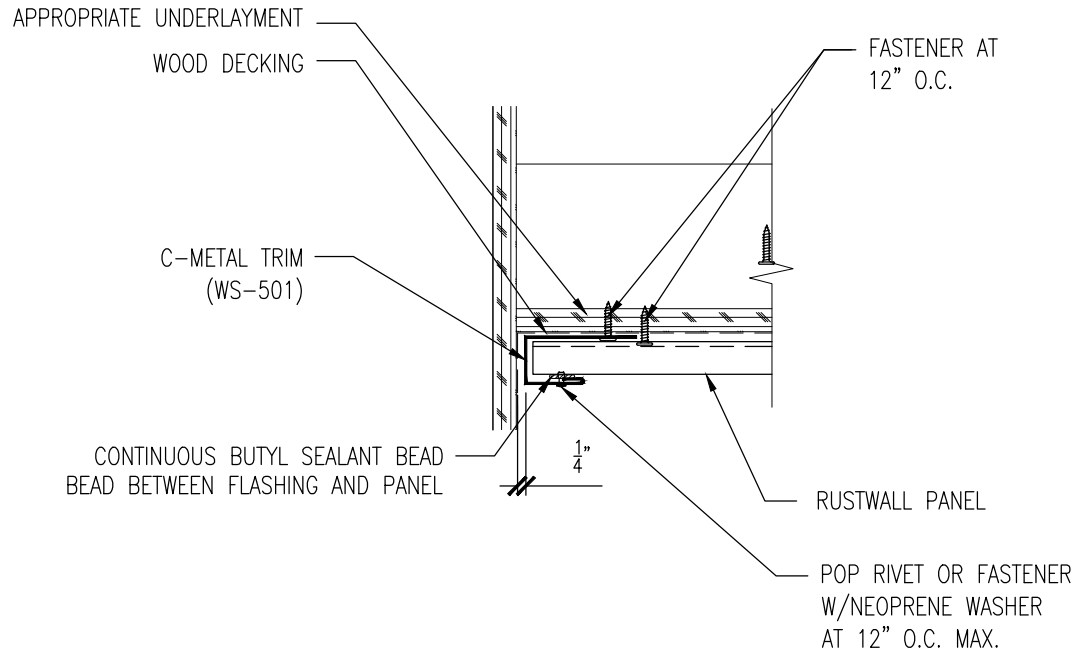
GAUGE: _____	COLOR: _____
LENGTH: _____	FINISH: _____
MATERIAL: _____	

# Western States Metal Roofing

901 W. Watkins St.  
 Phoenix, AZ 85007  
[www.MetalForRoofing.com](http://www.MetalForRoofing.com)  
[www.RustedRoofing.com](http://www.RustedRoofing.com)  
[www.MetalDeck.com](http://www.MetalDeck.com)

Phone: (602) 495-0048  
 Fax: (602) 261-7726  
 877-PURLINS (787-5467)

SOFFIT TO WALL DRIP DETAIL		
	A	02-18-13
PANEL TYPE: RUSTWALL	REV:	DATE:
	DETAIL #: WSD-SW5	

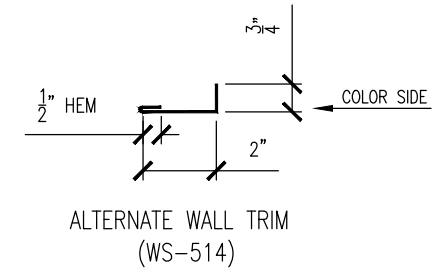
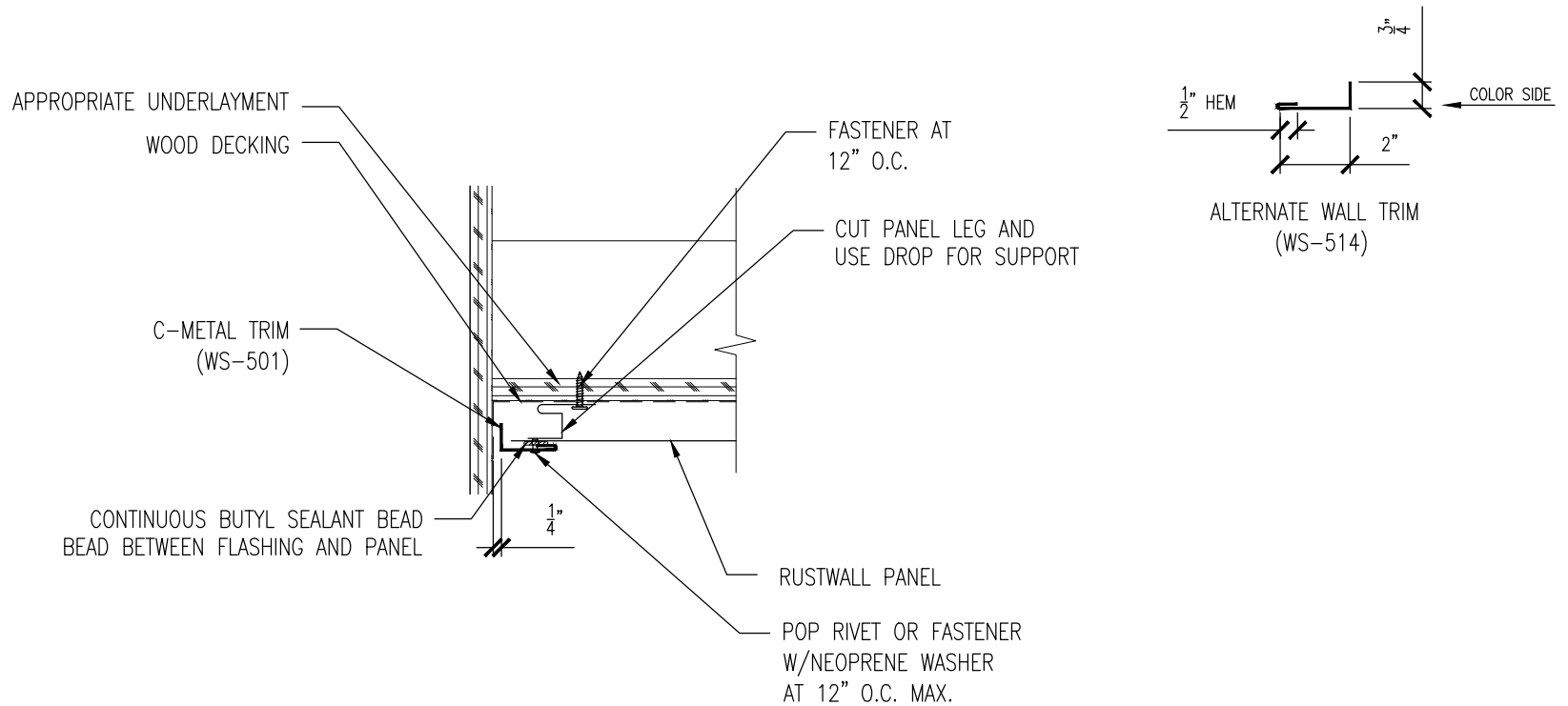


GAUGE: _____		COLOR: _____	
LENGTH: _____		FINISH: _____	
MATERIAL: _____			
HORIZONTAL SIDING END WALL DETAIL			
		A	02-18-13
PANEL TYPE: <b>RUSTWALL</b>		REV:	DATE:
		DETAIL #: <b>WSD-W6</b>	

# Western States Metal Roofing

901 W. Watkins St.  
 Phoenix, AZ 85007  
[www.MetalForRoofing.com](http://www.MetalForRoofing.com)  
[www.RustedRoofing.com](http://www.RustedRoofing.com)  
[www.MetalDeck.com](http://www.MetalDeck.com)

Phone: (602) 495-0048  
 Fax: (602) 261-7726  
 877-PURLINS (787-5467)



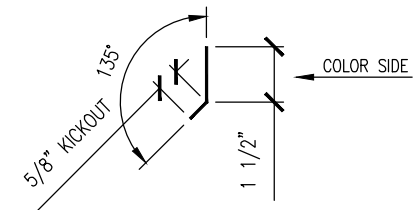
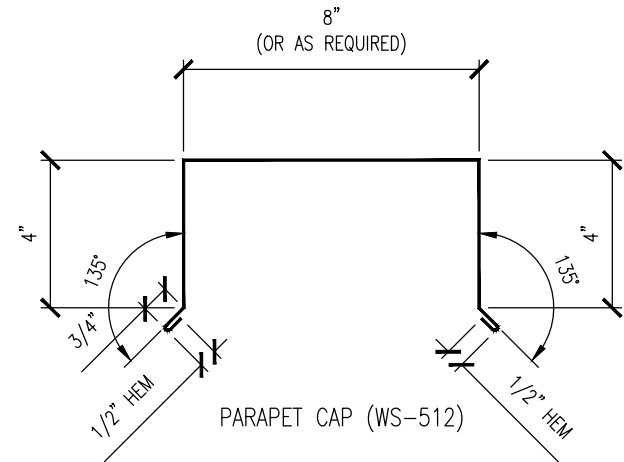
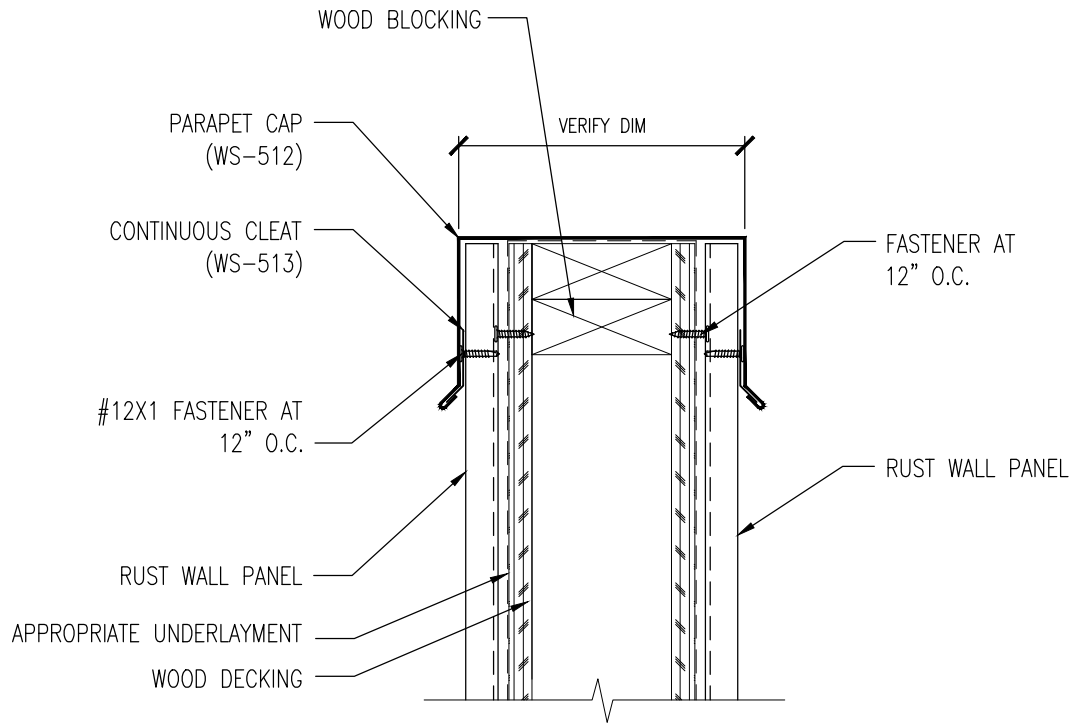
GAUGE: _____	COLOR: _____
LENGTH: _____	FINISH: _____
MATERIAL: _____	

# Western States Metal Roofing

901 W. Watkins St.  
 Phoenix, AZ 85007  
[www.MetalForRoofing.com](http://www.MetalForRoofing.com)  
[www.RustedRoofing.com](http://www.RustedRoofing.com)  
[www.MetalDeck.com](http://www.MetalDeck.com)

Phone: (602) 495-0048  
 Fax: (602) 261-7726  
 877-PURLINS (787-5467)

VERTICAL SIDING END WALL DETAIL		
	A	02-18-13
PANEL TYPE: RUSTWALL	REV:	DATE:
	DETAIL #: WSD-SW7	



CONTINUOUS CLEAT (WS-513)

VERTICAL WALL INSTALL

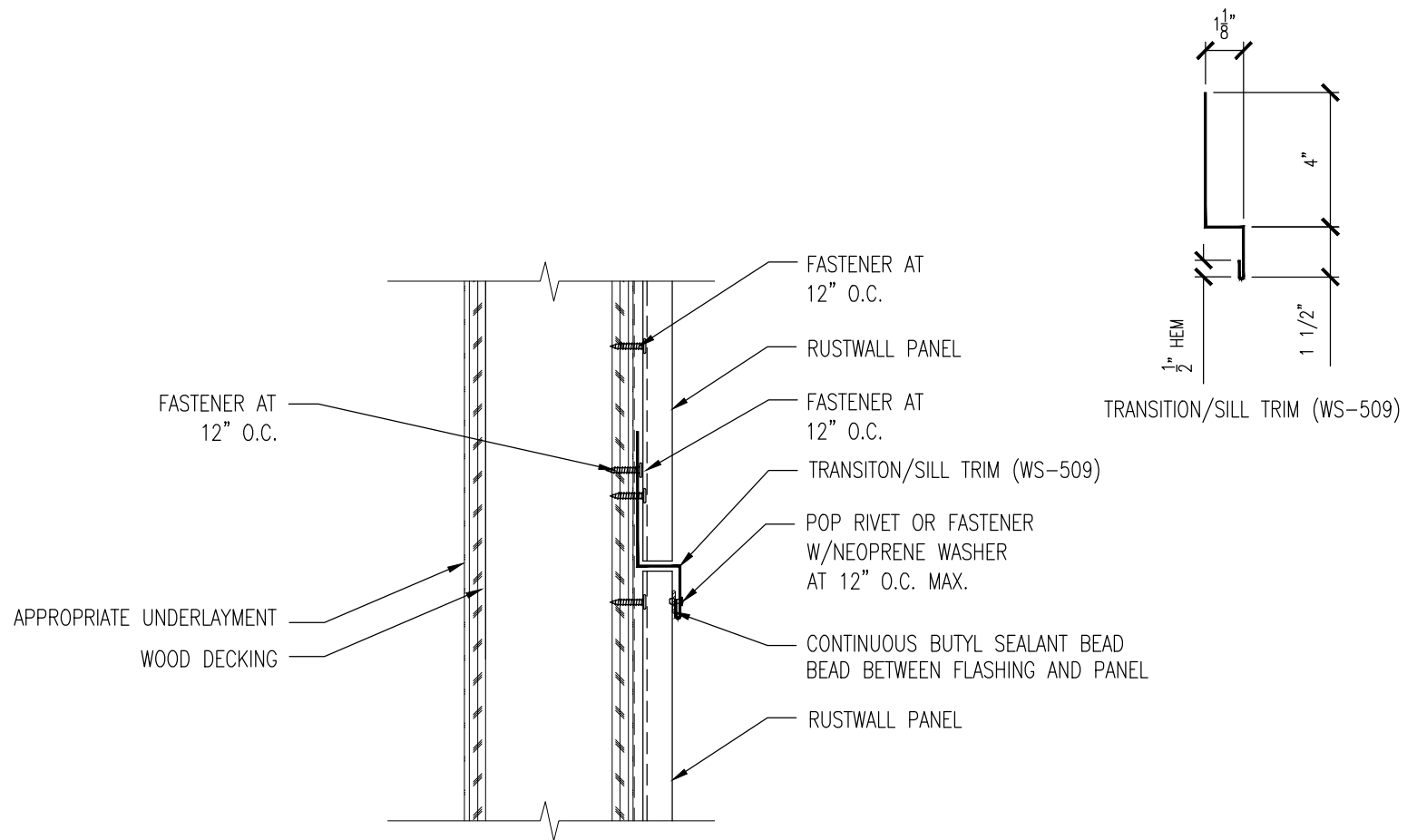
GAUGE: _____	COLOR: _____
LENGTH: _____	FINISH: _____
MATERIAL: _____	

**Western States Metal Roofing**

901 W. Watkins St.  
 Phoenix, AZ 85007  
[www.MetalForRoofing.com](http://www.MetalForRoofing.com)  
[www.RustedRoofing.com](http://www.RustedRoofing.com)  
[www.MetalDeck.com](http://www.MetalDeck.com)

Phone: (602) 495-0048  
 Fax: (602) 261-7726  
 877-PURLINS (787-5467)

PARAPET WALL DETAIL		
	A	02-18-13
PANEL TYPE: <b>RUSTWALL</b>	REV:	DATE:
	DETAIL #: <b>WSD-W8</b>	



VERTICAL WALL INSTALL

GAUGE: _____	COLOR: _____
LENGTH: _____	FINISH: _____
MATERIAL: _____	

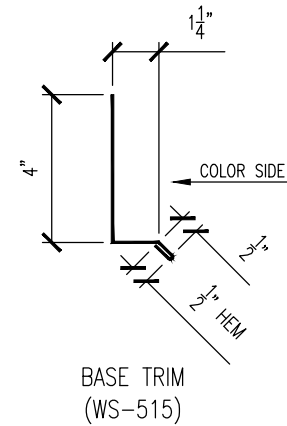
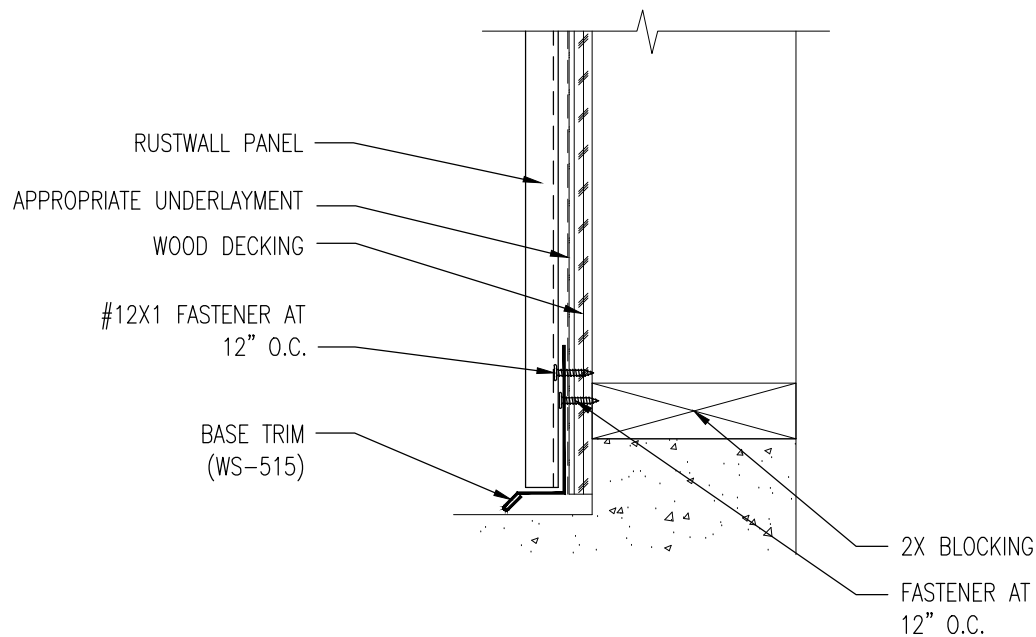
**Western States Metal Roofing**

901 W. Watkins St.  
 Phoenix, AZ 85007  
[www.MetalForRoofing.com](http://www.MetalForRoofing.com)  
[www.RustedRoofing.com](http://www.RustedRoofing.com)  
[www.MetalDeck.com](http://www.MetalDeck.com)

Phone: (602) 495-0048  
 Fax: (602) 261-7726  
 877-PURLINS (787-5467)

<b>SPLICE/SILL DETAIL</b>		
	A	02-18-13
PANEL TYPE: <b>RUSTWALL</b>	REV:	DATE:
	DETAIL #: <b>WSD-W9</b>	





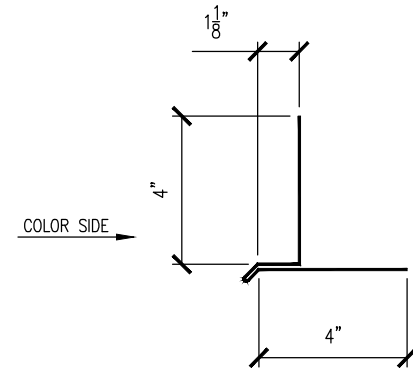
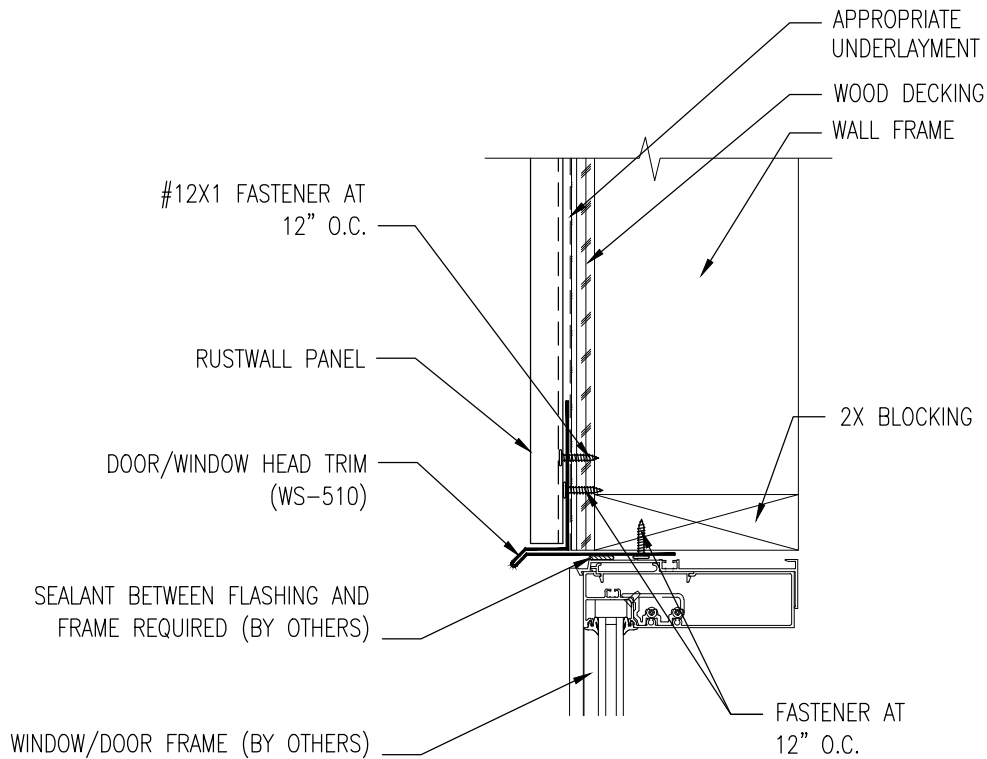
GAUGE: _____	COLOR: _____
LENGTH: _____	FINISH: _____
MATERIAL: _____	

# Western States Metal Roofing

901 W. Watkins St.  
 Phoenix, AZ 85007  
[www.MetalForRoofing.com](http://www.MetalForRoofing.com)  
[www.RustedRoofing.com](http://www.RustedRoofing.com)  
[www.MetalDeck.com](http://www.MetalDeck.com)

Phone: (602) 495-0048  
 Fax: (602) 261-7726  
 877-PURLINS (787-5467)

<b>BASE DETAIL</b>		
	A	02-18-13
PANEL TYPE: <b>RUSTWALL</b>	REV:	DATE:
	DETAIL #: <b>WSD-W10</b>	



DOOR/WINDOW HEAD TRIM (WS-510)

VERTICAL WALL INSTALL

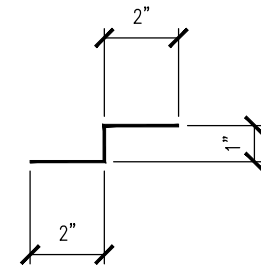
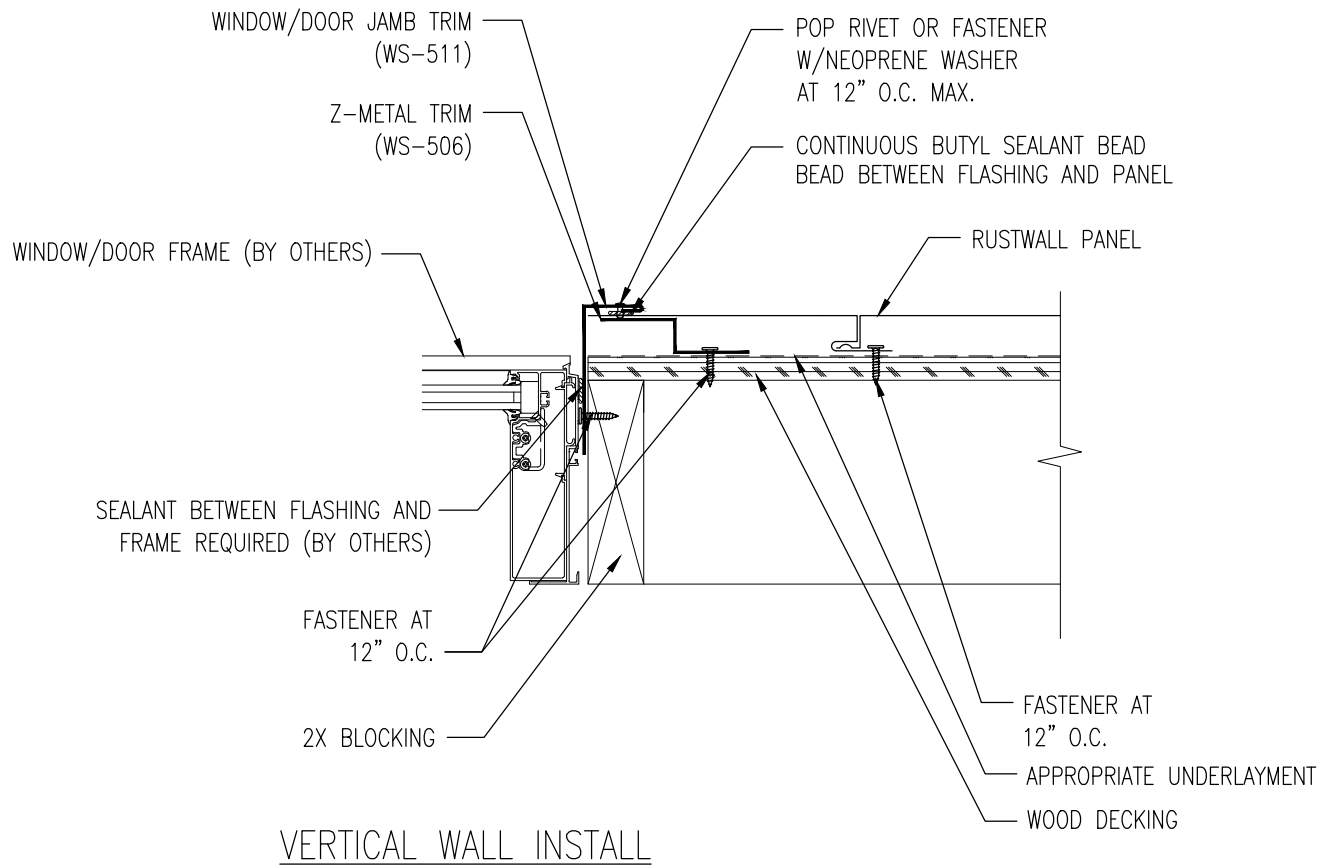
GAUGE: _____	COLOR: _____
LENGTH: _____	FINISH: _____
MATERIAL: _____	

**Western States Metal Roofing**

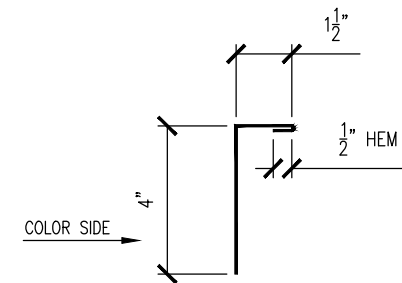
901 W. Watkins St.  
 Phoenix, AZ 85007  
[www.MetalForRoofing.com](http://www.MetalForRoofing.com)  
[www.RustedRoofing.com](http://www.RustedRoofing.com)  
[www.MetalDeck.com](http://www.MetalDeck.com)

Phone: (602) 495-0048  
 Fax: (602) 261-7726  
 877-PURLINS (787-5467)

<b>DOOR/WINDOW SILL AND HEAD DETAIL</b>		
	A	02-18-13
PANEL TYPE: <b>RUSTWALL</b>	REV:	DATE:
	DETAIL #: <b>WSD-W11</b>	



Z-METAL TRIM (WS-506)



WINDOW/DOOR JAMB TRIM (WS-511)

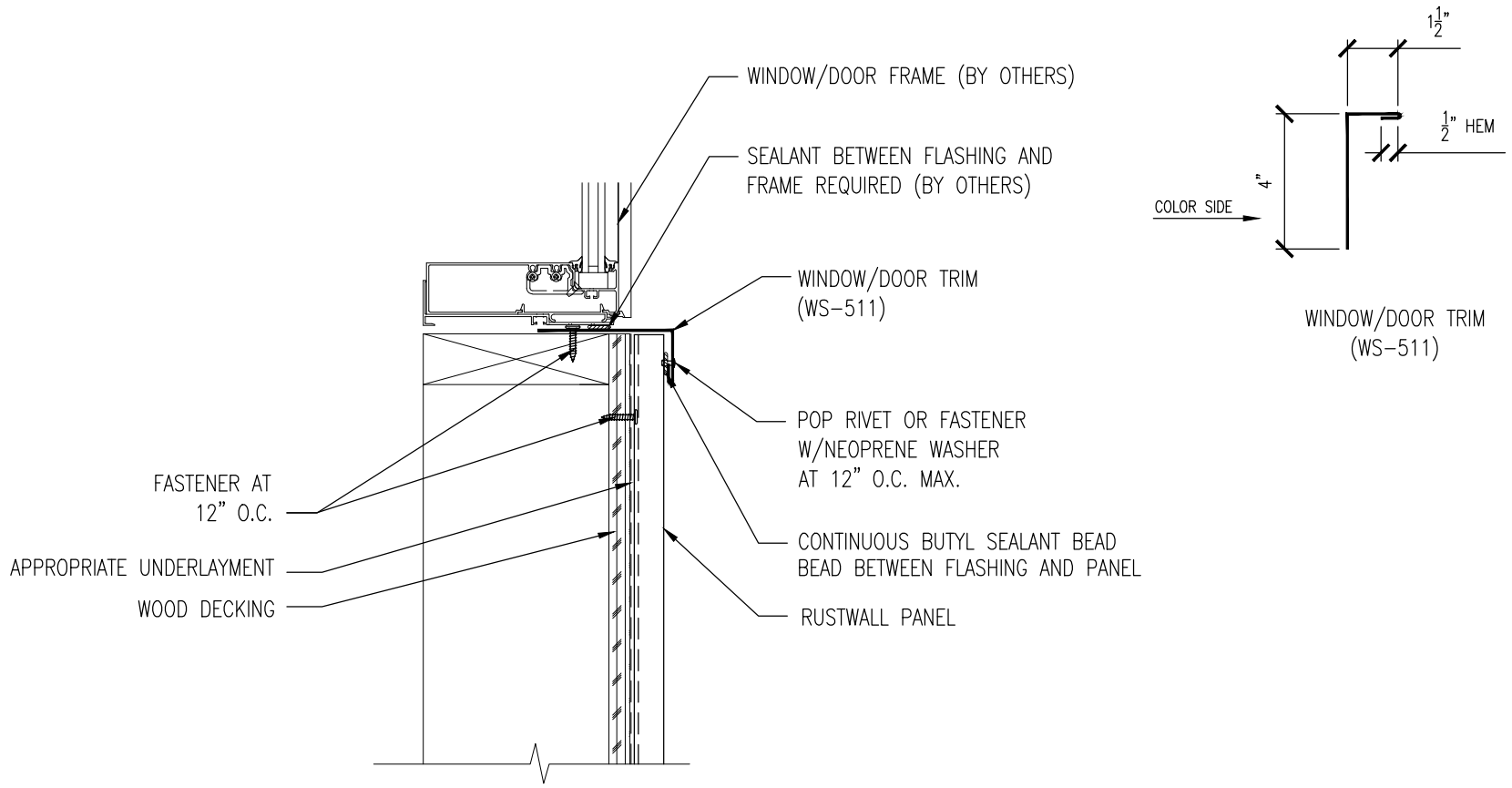
GAUGE: _____	COLOR: _____
LENGTH: _____	FINISH: _____
MATERIAL: _____	

## Western States Metal Roofing

901 W. Watkins St.  
 Phoenix, AZ 85007  
[www.MetalForRoofing.com](http://www.MetalForRoofing.com)  
[www.RustedRoofing.com](http://www.RustedRoofing.com)  
[www.MetalDeck.com](http://www.MetalDeck.com)

Phone: (602) 495-0048  
 Fax: (602) 261-7726  
 877-PURLINS (787-5467)

WINDOW/DOOR JAMB DETAIL		
	A	02-18-13
PANEL TYPE: RUSTWALL	REV:	DATE:
	DETAIL #: WSD-W12	

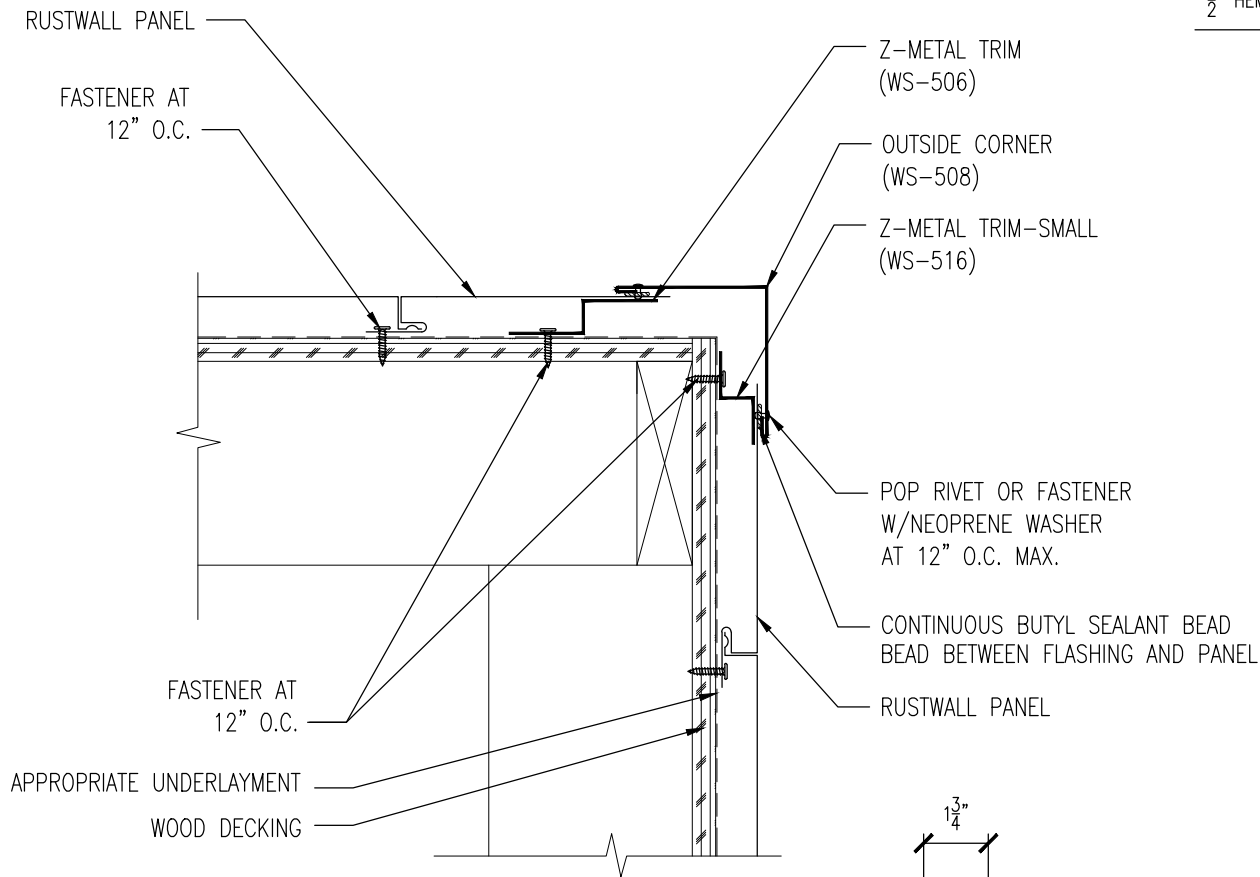


VERTICAL WALL INSTALL

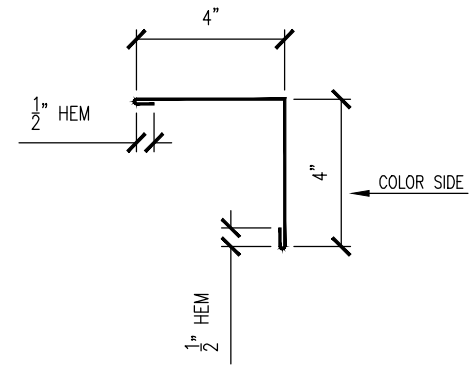
GAUGE: _____	COLOR: _____
LENGTH: _____	FINISH: _____
MATERIAL: _____	

**Western States Metal Roofing**  
 901 W. Watkins St. Phone: (602) 495-0048  
 Phoenix, AZ 85007 Fax: (602) 261-7726  
 www.MetalForRoofing.com 877-PURLINS (787-5467)  
 www.RustedRoofing.com  
 www.MetalDeck.com

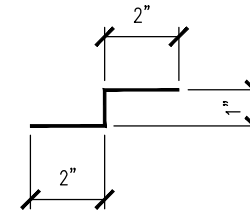
<b>DOOR/WINDOW SILL DETAIL</b>		
	A	02-18-13
PANEL TYPE: <b>RUSTWALL</b>	REV:	DATE:
	DETAIL #: <b>WSD-W13</b>	



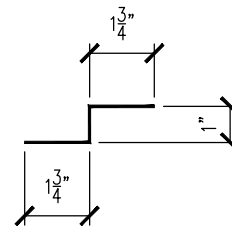
VERTICAL WALL INSTALL



OUTSIDE CORNER (WS-508)



Z-METAL TRIM (WS-506)



Z-METAL TRIM (SMALL) (WS-516)

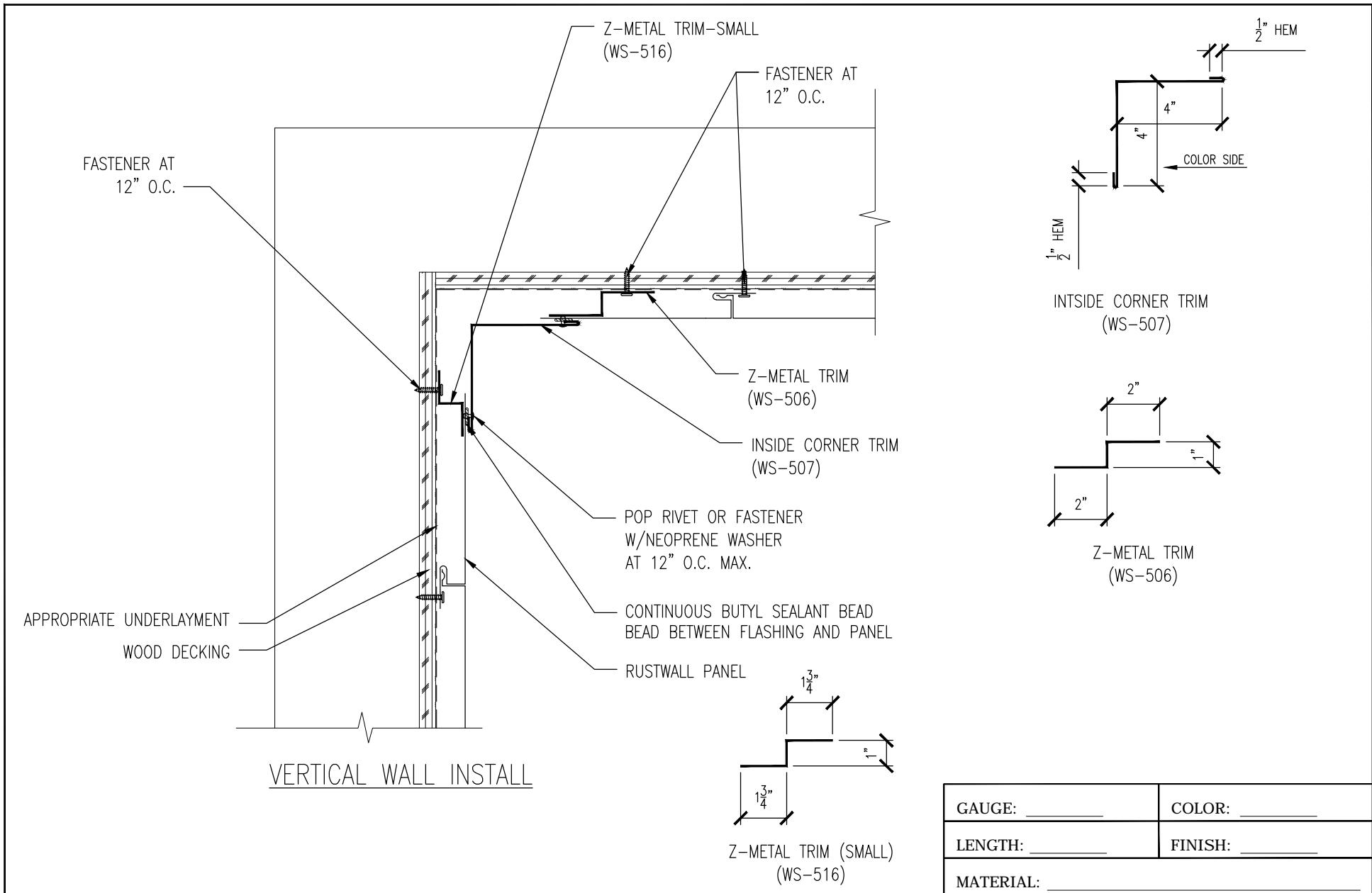
GAUGE: _____	COLOR: _____
LENGTH: _____	FINISH: _____
MATERIAL: _____	

OUTSIDE CORNER DETAIL		
	A	02-18-13
PANEL TYPE: RUSTWALL	REV:	DATE:
	DETAIL #: WSD-W14	

# Western States Metal Roofing

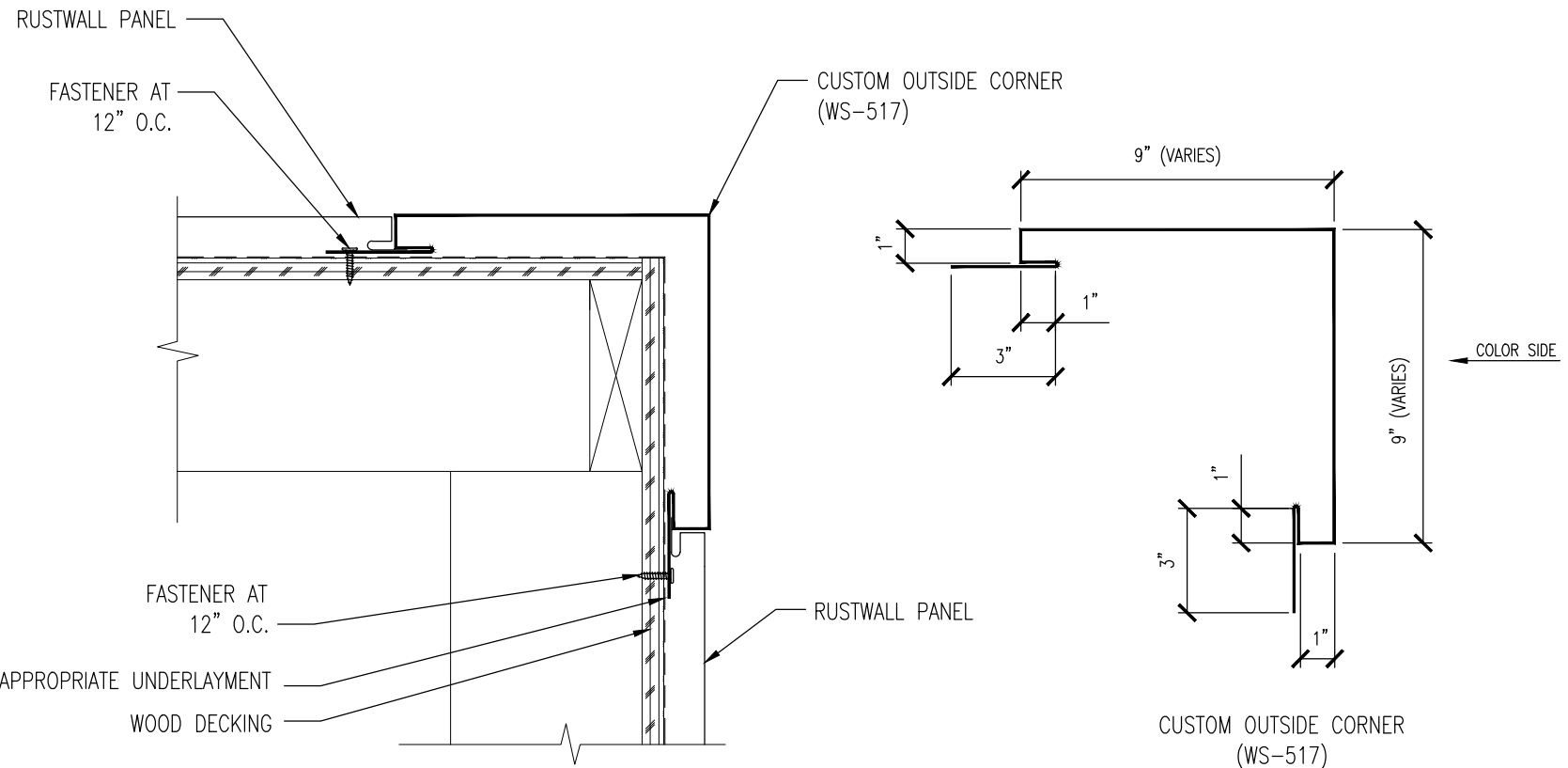
901 W. Watkins St.  
 Phoenix, AZ 85007  
[www.MetalForRoofing.com](http://www.MetalForRoofing.com)  
[www.RustedRoofing.com](http://www.RustedRoofing.com)  
[www.MetalDeck.com](http://www.MetalDeck.com)

Phone: (602) 495-0048  
 Fax: (602) 261-7726  
 877-PURLINS (787-5467)



**Western States Metal Roofing**  
 901 W. Watkins St. Phone: (602) 495-0048  
 Phoenix, AZ 85007 Fax: (602) 261-7726  
 www.MetalForRoofing.com 877-PURLINS (787-5467)  
 www.RustedRoofing.com  
 www.MetalDeck.com

GAUGE: _____	COLOR: _____	
LENGTH: _____	FINISH: _____	
MATERIAL: _____		
<b>INSIDE CORNER DETAIL</b>	A	02-18-13
	REV:	DATE:
PANEL TYPE: <b>RUSTWALL</b>	DETAIL #: <b>WSD-W15</b>	



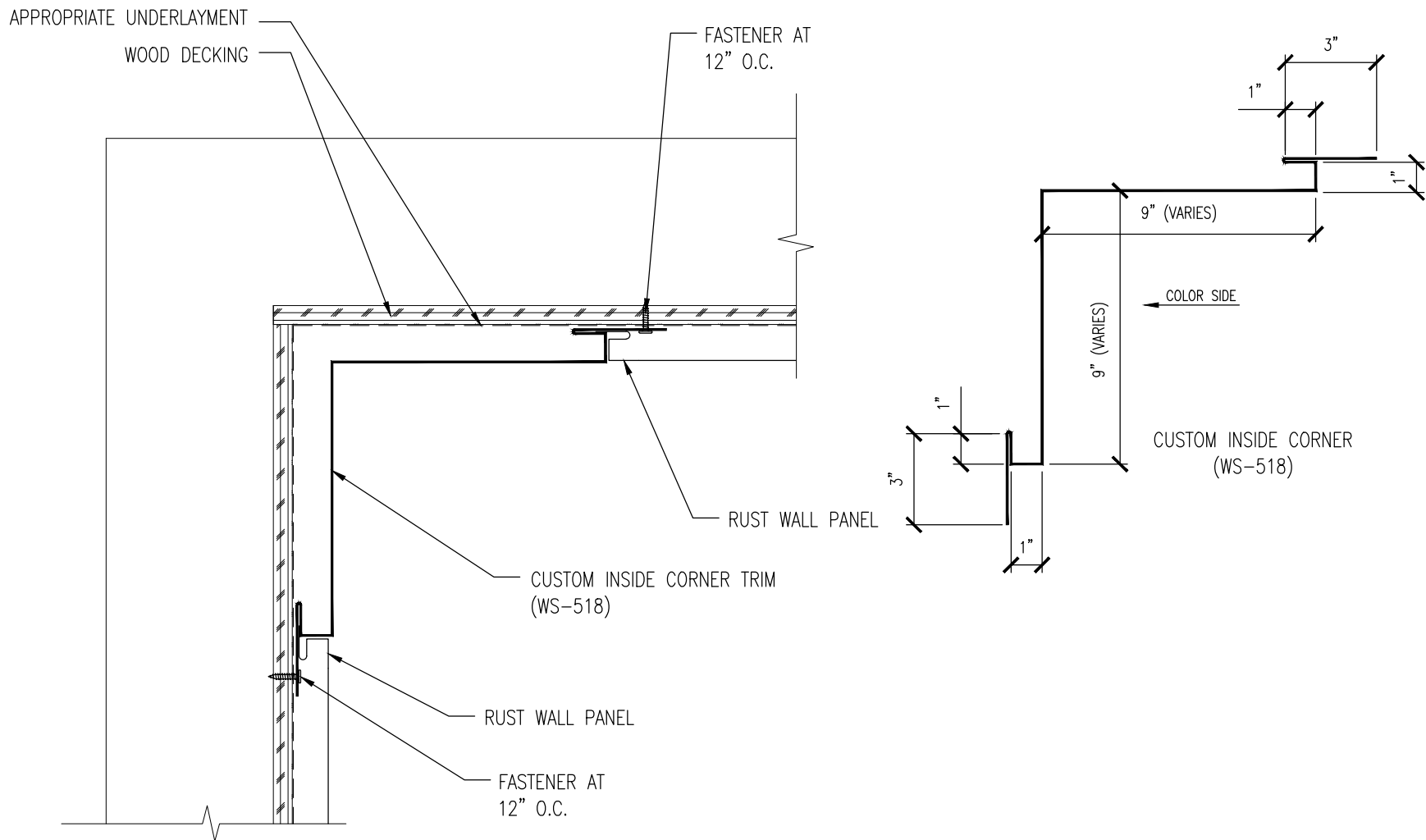
GAUGE: _____	COLOR: _____
LENGTH: _____	FINISH: _____
MATERIAL: _____	

# Western States Metal Roofing

901 W. Watkins St.  
 Phoenix, AZ 85007  
[www.MetalForRoofing.com](http://www.MetalForRoofing.com)  
[www.RustedRoofing.com](http://www.RustedRoofing.com)  
[www.MetalDeck.com](http://www.MetalDeck.com)

Phone: (602) 495-0048  
 Fax: (602) 261-7726  
 877-PURLINS (787-5467)

CUSTOM OUTSIDE CORNER DETAIL		
	A	02-18-13
PANEL TYPE: RUSTWALL	REV:	DATE:
	DETAIL #: WSD-W16	



GAUGE: _____	COLOR: _____
LENGTH: _____	FINISH: _____
MATERIAL: _____	

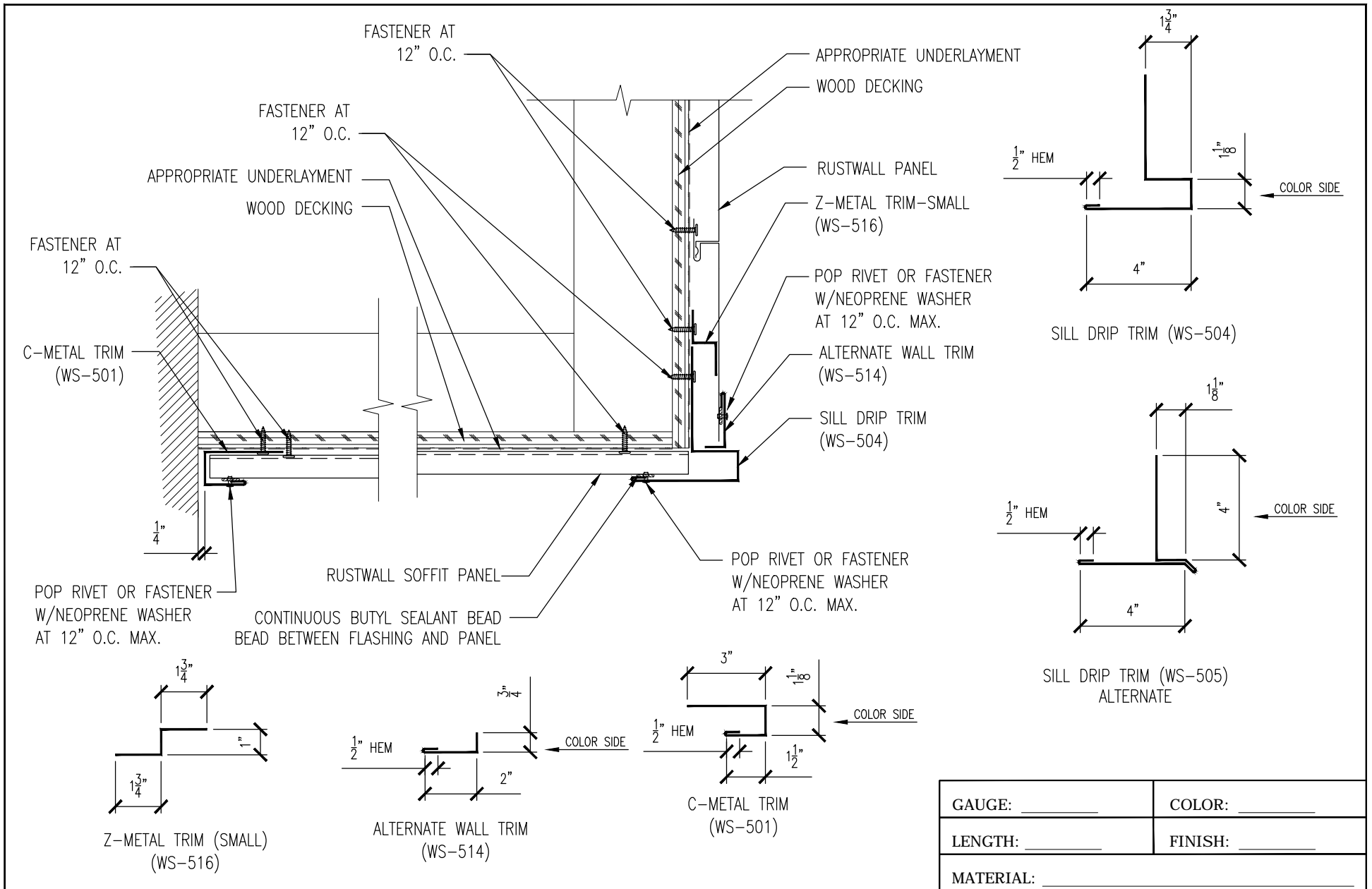
# Western States Metal Roofing

901 W. Watkins St.  
 Phoenix, AZ 85007  
[www.MetalForRoofing.com](http://www.MetalForRoofing.com)  
[www.RustedRoofing.com](http://www.RustedRoofing.com)  
[www.MetalDeck.com](http://www.MetalDeck.com)

Phone: (602) 495-0048  
 Fax: (602) 261-7726  
 877-PURLINS (787-5467)

<b>CUSTOM INSIDE CORNER DETAIL</b>		
	A	02-18-13
PANEL TYPE: <b>RUSTWALL</b>	REV:	DATE:
	DETAIL #: <b>WSD-W17</b>	



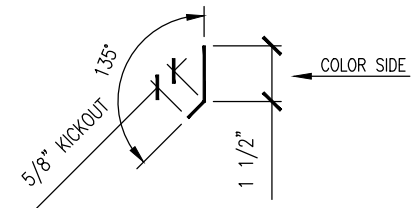
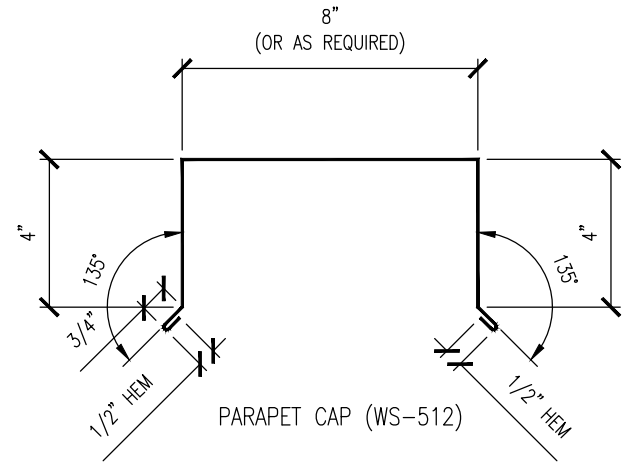
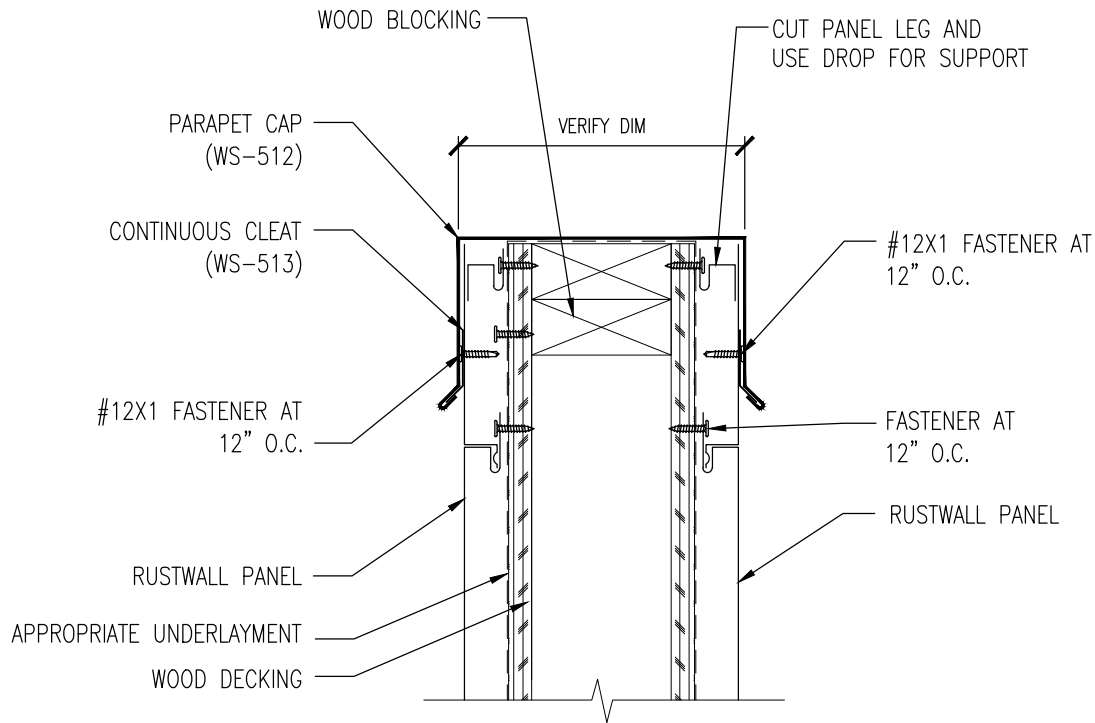


# Western States Metal Roofing

901 W. Watkins St.  
 Phoenix, AZ 85007  
[www.MetalForRoofing.com](http://www.MetalForRoofing.com)  
[www.RustedRoofing.com](http://www.RustedRoofing.com)  
[www.MetalDeck.com](http://www.MetalDeck.com)

Phone: (602) 495-0048  
 Fax: (602) 261-7726  
 877-PURLINS (787-5467)

GAUGE: _____	COLOR: _____						
LENGTH: _____	FINISH: _____						
MATERIAL: _____							
<b>SOFFIT TO WALL HORIZONTAL DETAIL</b>							
PANEL TYPE: <b>RUSTWALL</b>	<table border="1"> <tr> <td>A</td> <td>02-18-13</td> </tr> <tr> <td>REV:</td> <td>DATE:</td> </tr> <tr> <td>DETAIL #:</td> <td><b>WSD-W18</b></td> </tr> </table>	A	02-18-13	REV:	DATE:	DETAIL #:	<b>WSD-W18</b>
A	02-18-13						
REV:	DATE:						
DETAIL #:	<b>WSD-W18</b>						



CONTINUOUS CLEAT (WS-513)

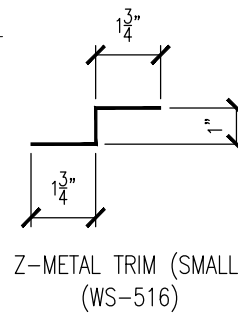
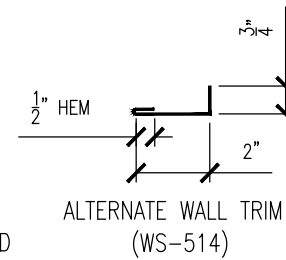
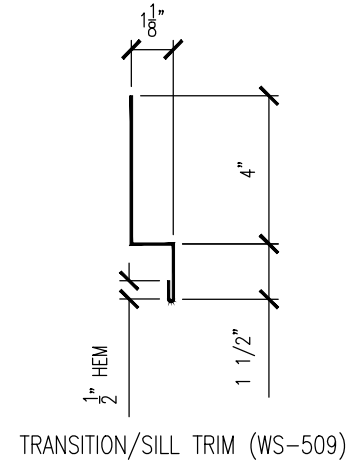
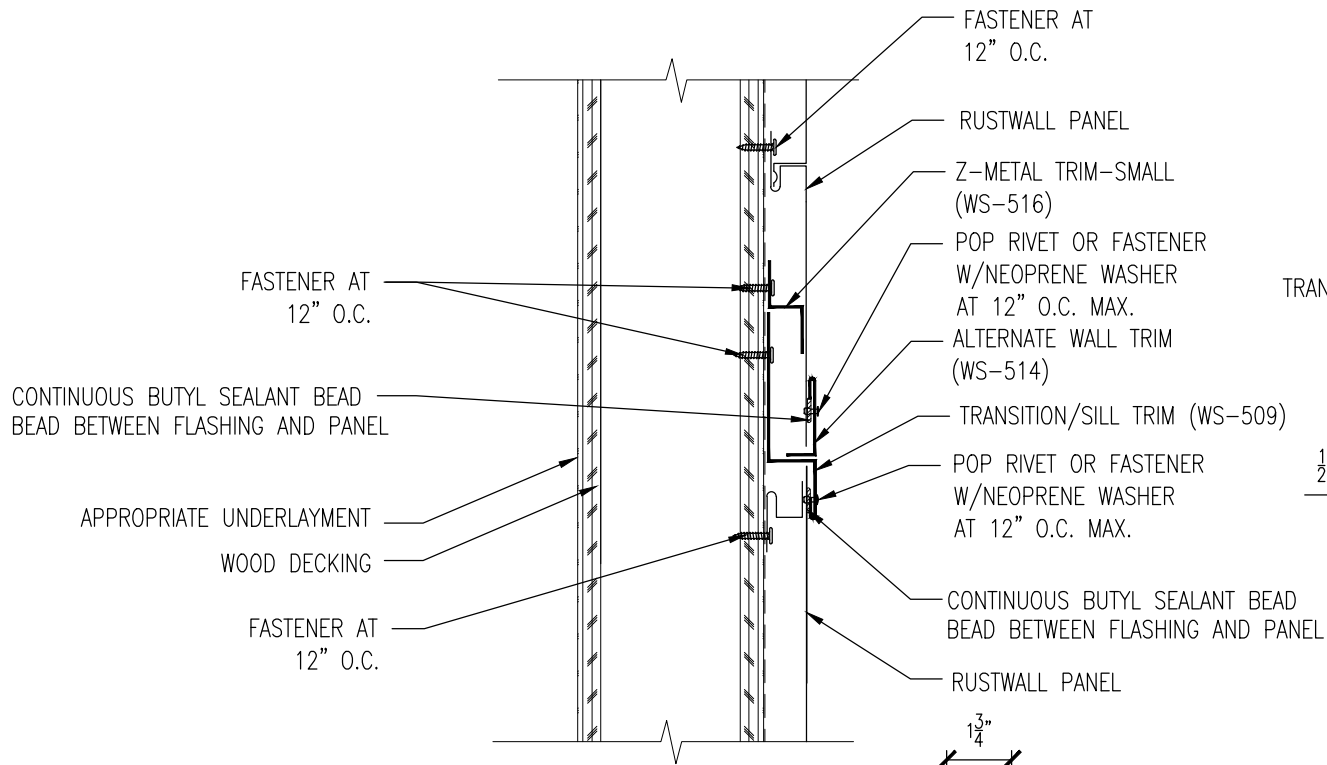
GAUGE: _____	COLOR: _____
LENGTH: _____	FINISH: _____
MATERIAL: _____	

## Western States Metal Roofing

901 W. Watkins St.  
 Phoenix, AZ 85007  
[www.MetalForRoofing.com](http://www.MetalForRoofing.com)  
[www.RustedRoofing.com](http://www.RustedRoofing.com)  
[www.MetalDeck.com](http://www.MetalDeck.com)

Phone: (602) 495-0048  
 Fax: (602) 261-7726  
 877-PURLINS (787-5467)

PARAPET WALL HORIZONTAL DETAIL		
	A	02-18-13
PANEL TYPE: RUSTWALL	REV:	DATE:
	DETAIL #: WSD-W19	

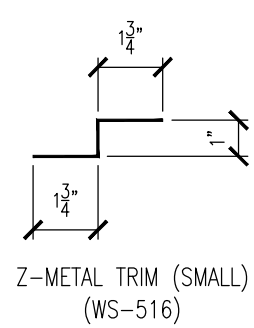
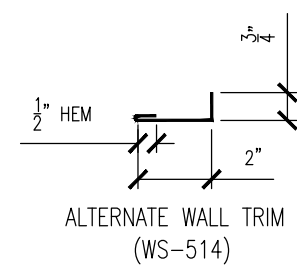
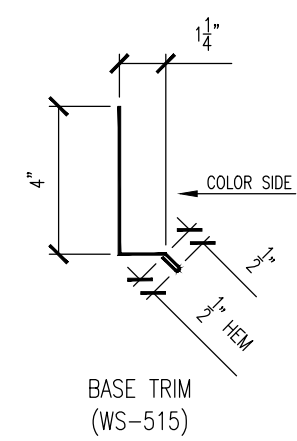
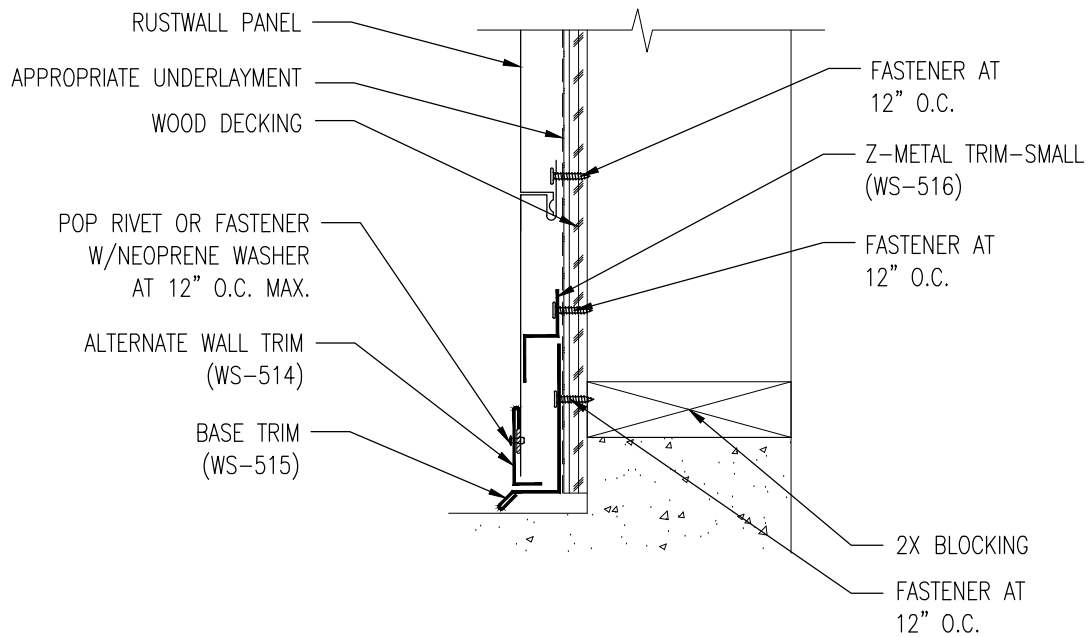


GAUGE: _____	COLOR: _____	
LENGTH: _____	FINISH: _____	
MATERIAL: _____		
<b>SPLICE/SILL HORIZONTAL DETAIL</b>	A	02-18-13
	REV:	DATE:
PANEL TYPE: <b>RUSTWALL</b>	DETAIL #: <b>WSD-W20</b>	

## Western States Metal Roofing

901 W. Watkins St.  
 Phoenix, AZ 85007  
[www.MetalForRoofing.com](http://www.MetalForRoofing.com)  
[www.RustedRoofing.com](http://www.RustedRoofing.com)  
[www.MetalDeck.com](http://www.MetalDeck.com)

Phone: (602) 495-0048  
 Fax: (602) 261-7726  
 877-PURLINS (787-5467)

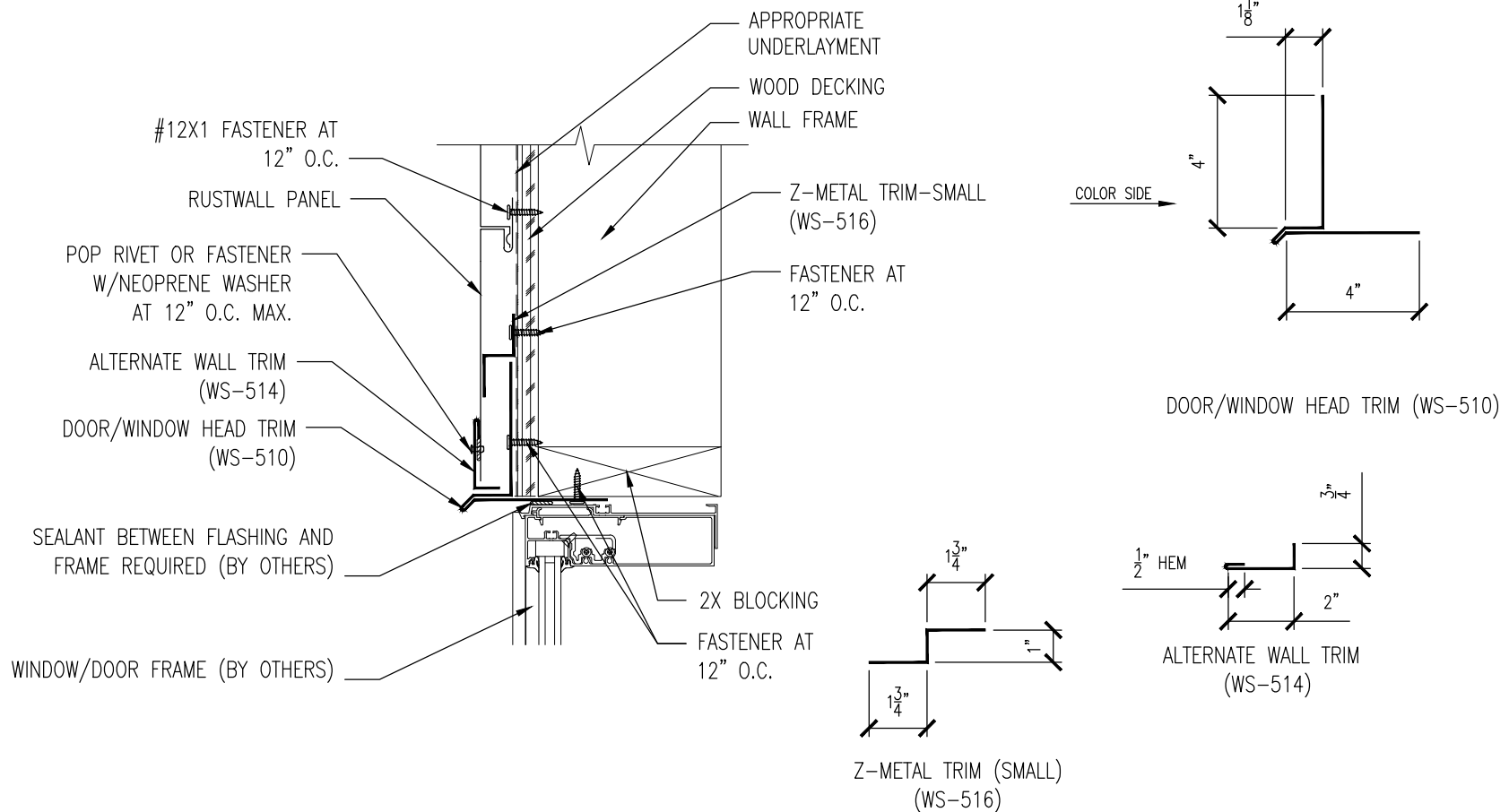


GAUGE: _____	COLOR: _____
LENGTH: _____	FINISH: _____
MATERIAL: _____	
BASE HORIZONTAL DETAIL	
	A 02-18-13
PANEL TYPE: RUSTWALL	REV: DATE:
	DETAIL #: WSD-W21

# Western States Metal Roofing

901 W. Watkins St.  
 Phoenix, AZ 85007  
[www.MetalForRoofing.com](http://www.MetalForRoofing.com)  
[www.RustedRoofing.com](http://www.RustedRoofing.com)  
[www.MetalDeck.com](http://www.MetalDeck.com)

Phone: (602) 495-0048  
 Fax: (602) 261-7726  
 877-PURLINS (787-5467)



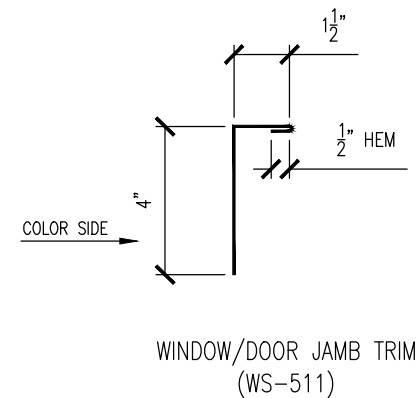
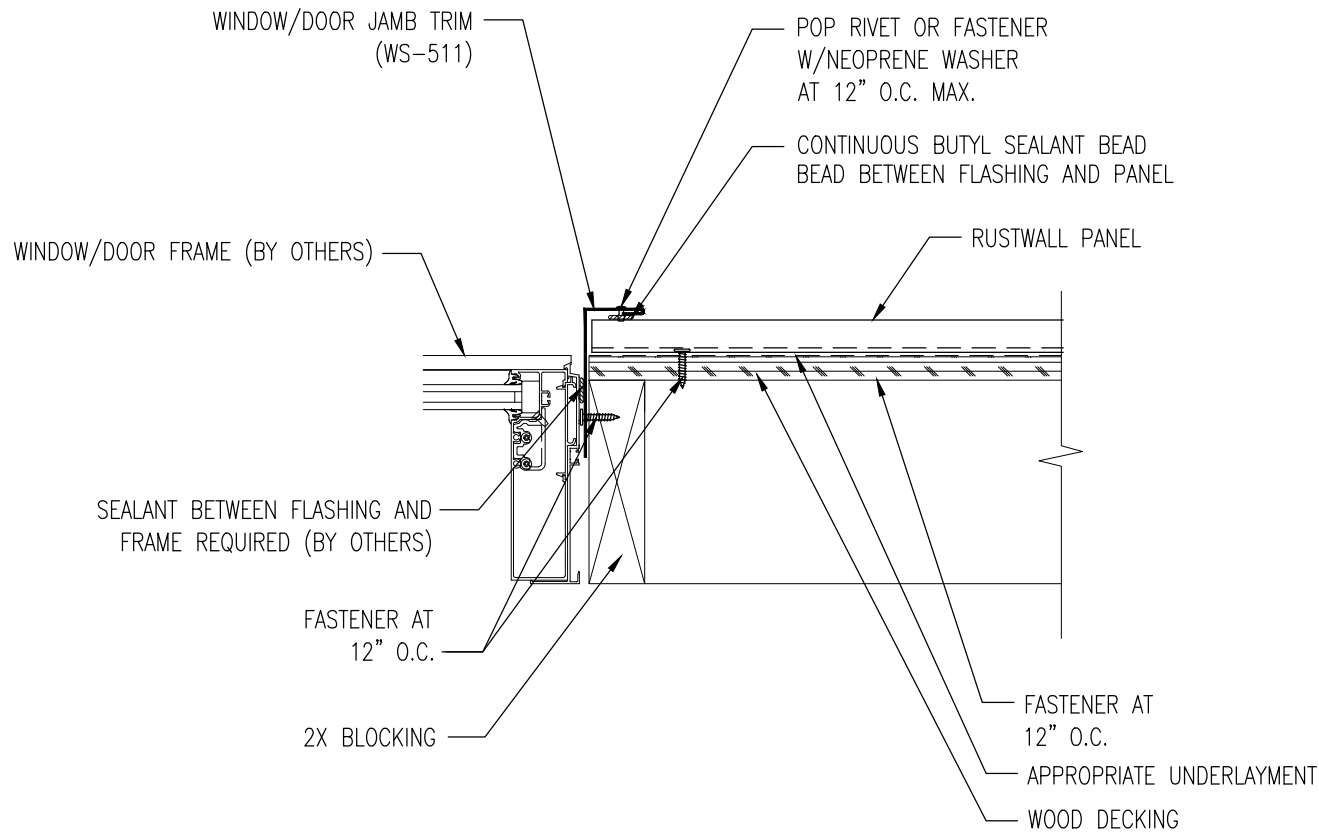
GAUGE: _____	COLOR: _____
LENGTH: _____	FINISH: _____
MATERIAL: _____	

# Western States Metal Roofing

901 W. Watkins St.  
 Phoenix, AZ 85007  
[www.MetalForRoofing.com](http://www.MetalForRoofing.com)  
[www.RustedRoofing.com](http://www.RustedRoofing.com)  
[www.MetalDeck.com](http://www.MetalDeck.com)

Phone: (602) 495-0048  
 Fax: (602) 261-7726  
 877-PURLINS (787-5467)

WINDOW/DOOR HEAD HORIZONTAL DETAIL		
	A	02-18-13
PANEL TYPE: <b>RUSTWALL</b>	REV:	DATE:
	DETAIL #: <b>WSD-W22</b>	



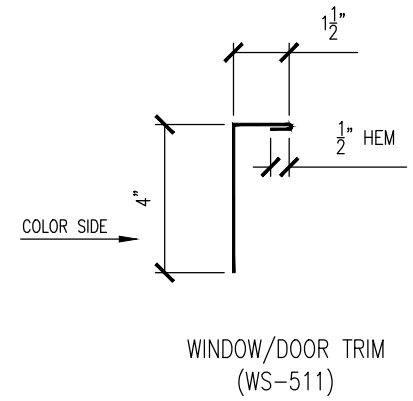
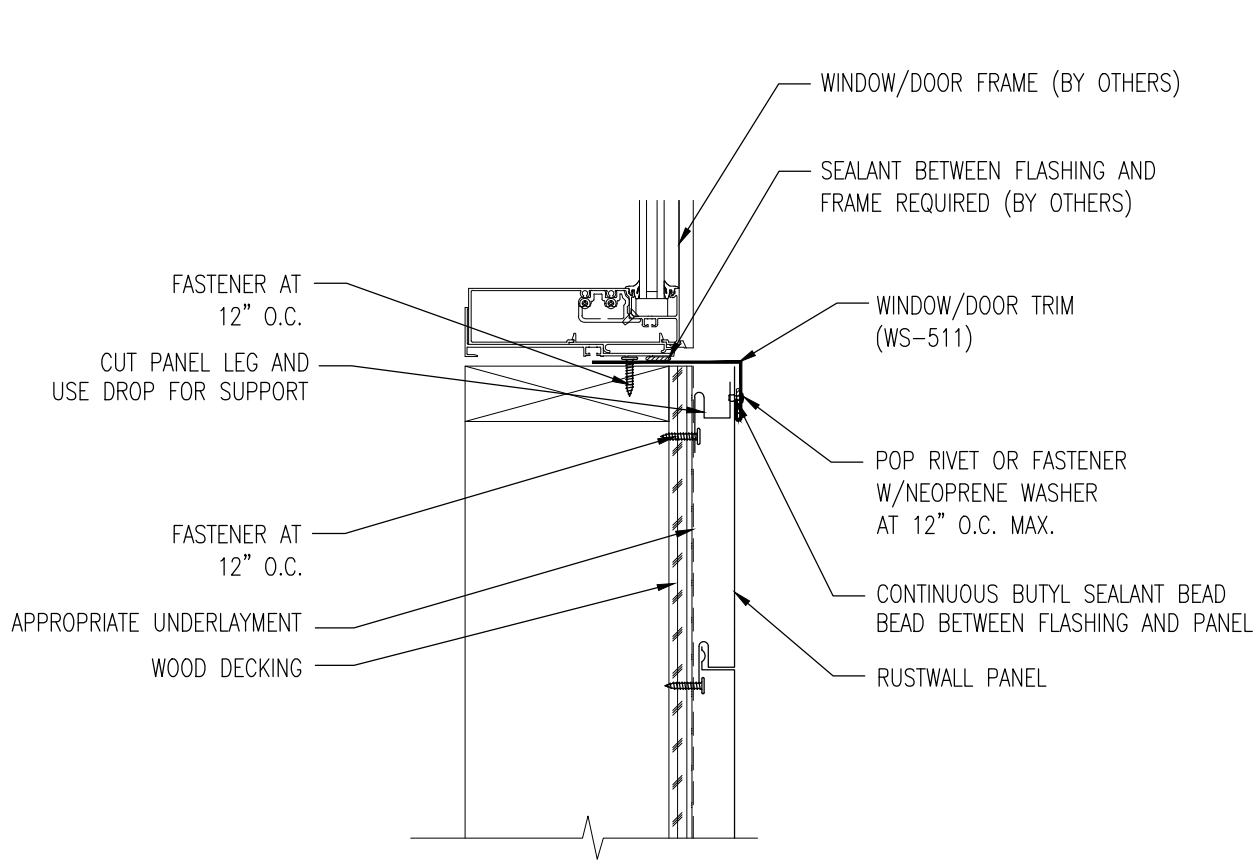
GAUGE: _____	COLOR: _____
LENGTH: _____	FINISH: _____
MATERIAL: _____	

## Western States Metal Roofing

901 W. Watkins St.  
 Phoenix, AZ 85007  
[www.MetalForRoofing.com](http://www.MetalForRoofing.com)  
[www.RustedRoofing.com](http://www.RustedRoofing.com)  
[www.MetalDeck.com](http://www.MetalDeck.com)

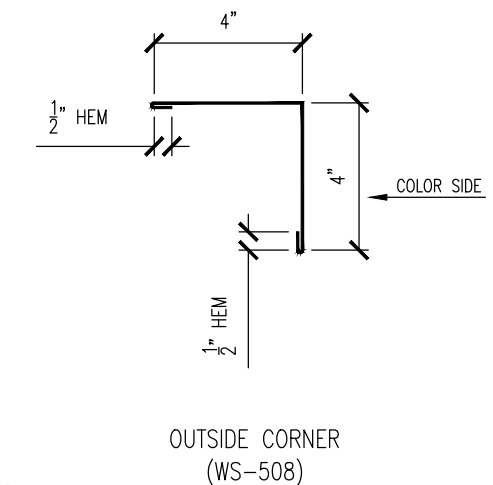
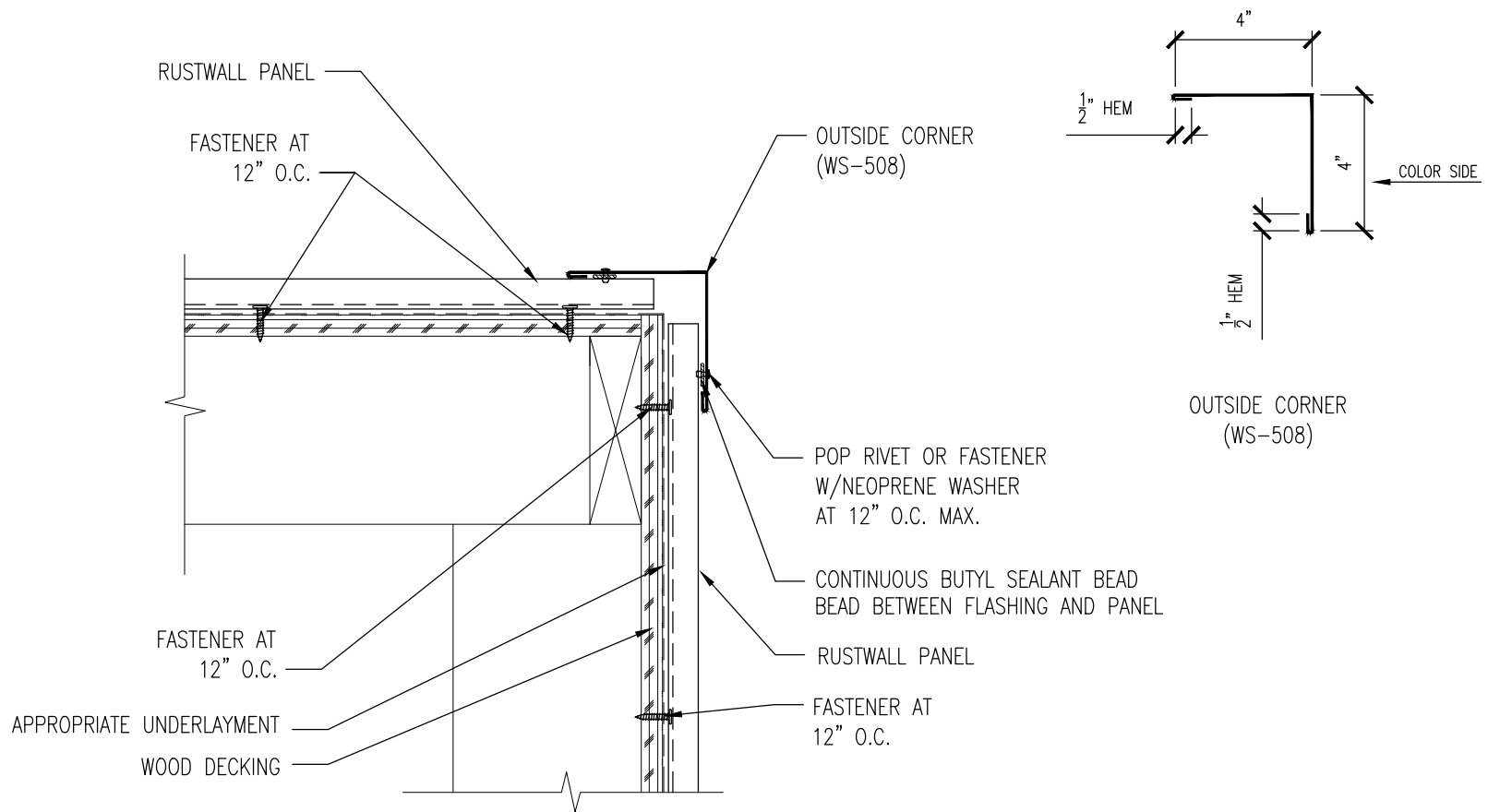
Phone: (602) 495-0048  
 Fax: (602) 261-7726  
 877-PURLINS (787-5467)

WINDOW/DOOR JAMB HORIZONTAL DETAIL		
	A	02-18-13
PANEL TYPE: <b>RUSTWALL</b>	REV:	DATE:
	DETAIL #: <b>WSD-W23</b>	



GAUGE: _____		COLOR: _____	
LENGTH: _____		FINISH: _____	
MATERIAL: _____			
WINDOW/DOOR SILL HORIZONTAL DETAIL			
		A	02-18-13
RUSTWALL		REV:	DATE:
		DETAIL #: WSD-W24	

**Western States Metal Roofing**  
 901 W. Watkins St. Phone: (602) 495-0048  
 Phoenix, AZ 85007 Fax: (602) 261-7726  
 www.MetalForRoofing.com 877-PURLINS (787-5467)  
 www.RustedRoofing.com  
 www.MetalDeck.com



GAUGE: _____	COLOR: _____
LENGTH: _____	FINISH: _____
MATERIAL: _____	

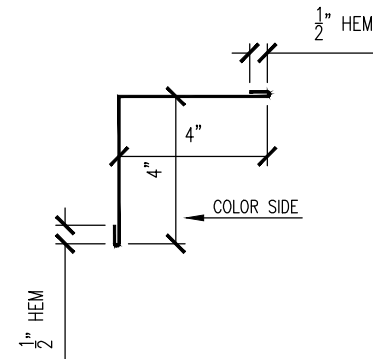
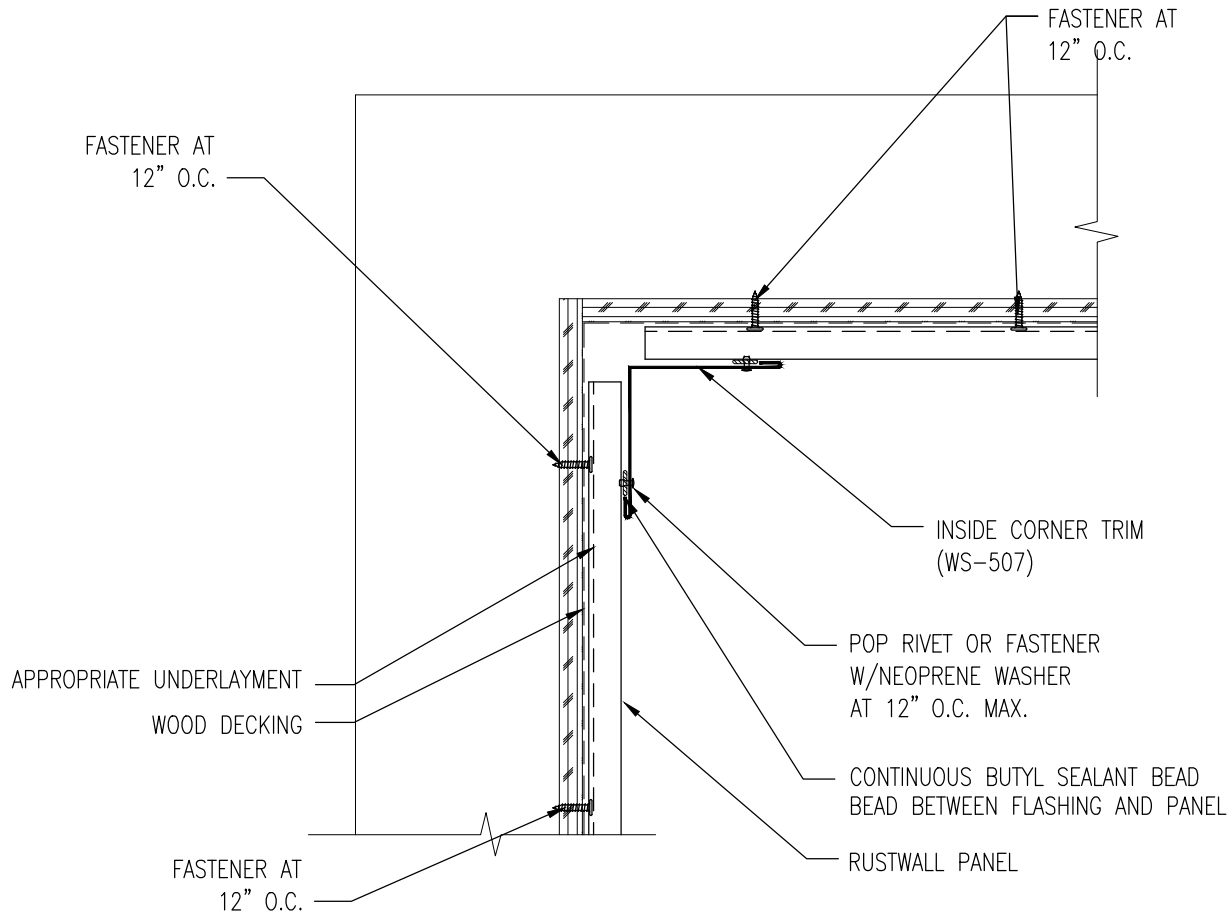
## Western States Metal Roofing

901 W. Watkins St.  
 Phoenix, AZ 85007  
[www.MetalForRoofing.com](http://www.MetalForRoofing.com)  
[www.RustedRoofing.com](http://www.RustedRoofing.com)  
[www.MetalDeck.com](http://www.MetalDeck.com)

Phone: (602) 495-0048  
 Fax: (602) 261-7726  
 877-PURLINS (787-5467)

OUTSIDE CORNER HORIZONTAL DETAIL		
	A	02-18-13
PANEL TYPE: <b>RUSTWALL</b>	REV:	DATE:
	DETAIL #: <b>WSD-W25</b>	





INSIDE CORNER TRIM (WS-507)

GAUGE: _____	COLOR: _____
LENGTH: _____	FINISH: _____
MATERIAL: _____	

## Western States Metal Roofing

901 W. Watkins St.  
 Phoenix, AZ 85007  
[www.MetalForRoofing.com](http://www.MetalForRoofing.com)  
[www.RustedRoofing.com](http://www.RustedRoofing.com)  
[www.MetalDeck.com](http://www.MetalDeck.com)

Phone: (602) 495-0048  
 Fax: (602) 261-7726  
 877-PURLINS (787-5467)

INSIDE CORNER HORIZONTAL DETAIL		
	A	02-18-13
PANEL TYPE: <b>RUSTWALL</b>	REV:	DATE:
	DETAIL #: <b>WSD-W26</b>	



# CUSTOM TRIM

GAUGE: _____	COLOR: _____	
BREAKS: _____	FINISH: _____	
LENGTH: _____	STRETCH OUT: _____	
MATERIAL: _____		
CUSTOM TRIM NAME: _____		
	A	02-18-13
PANEL TYPE: <b>RUSTWALL</b>	REV:	DATE:
	DETAIL #: <b>WSD-CT28</b>	

## Western States Metal Roofing

901 W. Watkins St.  
 Phoenix, AZ 85007  
[www.MetalForRoofing.com](http://www.MetalForRoofing.com)  
[www.RustedRoofing.com](http://www.RustedRoofing.com)  
[www.MetalDeck.com](http://www.MetalDeck.com)

Phone: (602) 495-0048  
 Fax: (602) 261-7726  
 877-PURLINS (787-5467)

## Western States “ RustWall™” Panel

Installation, Flashings & Shop Drawing Detail Guide

### Special Design Considerations

The details contained in this guide are proven industry details and are intended to be used as a design aid and installation guide. It does not depict all situations that may be encountered on all projects. Modifications are the responsibility of the designer/ owner/ installer.

Consideration should be given for Fit for Purpose, Building use, Climate conditions such as temperature, snow, wind, and moisture, Governing Building Codes, and Maintenance.

It is highly recommended that all trims and flashings be of the same material as the panels (metal, gauge, finish) to ensure long term performance and durability. Where possible, flashing edges should be hemmed to strengthen the edge and protect the cut edge from exposure.

### Acceptance

**Use of this manual is strictly voluntary.** Details that are provided are to be used as a guide only. Details may not be applicable for all situations. This guide provides one standard detail and WSDI accepts that other installation details may be needed and other details may exist. WSDI makes no guarantee as to the Weather Tightness of the system or details found with in this guide. The information in this manual is believed to be correct and accurate at the time of printing. WSDI reserves the right to change details, discontinue products, change designs at any time without incurring obligation. It is best to consult your Design Engineer for recommendations.

### Underlayment

There are many types of underlayment’s on the market today. All designed with a special purpose depending on the type of Metal and profile. Many different types of metal will require a different type of underlayment, such as A606-4 (Corten) which requires a High Temperature underlayment. It is best to consult your Design Engineer for recommendations.

### Snow Design

Design and dimension must be the proper width to accommodate high snow, rain, ice, and slope conditions. If possible, splices, penetrations, should be minimized in areas of high snow and ice accumulations. Details found in this manual may not pertain in areas of high snow and ice accumulations.

### Panel coverage and fastening

Normal panel width of RustWall panels are 10”,14” & 18 1/8” However depending on the finish selected and the required coil feed, other sizes may be available. Please consult with your WSDI representative for details and fastening recommendations.

### Safety and Maintenance

Extreme care should always be used when working with metals. Safety should always be a top priority and approved fall protection and equipment as approved by OSHA should always be used. No Structure is immune to severe weather or is completely maintenance free. To keep your Siding performing as it was designed; an inspection and comprehensive maintenance program should be implemented.

### References

For other installation techniques and details, The Sheet Metal and Air Conditioning Contractors National Association Inc. (SMACNA) and NRCA manuals are great resource for working with sheet metal.

### Technical Assistance

Contact your WSDI sales or technical representative for any additional information or assistance. To insure you have the latest information available, please inquire or visit our web sites at [www.metaldeck.com](http://www.metaldeck.com) or [Rustedroofing.com](http://Rustedroofing.com)